

counterbalance valve, screw-in valve (adjustable)

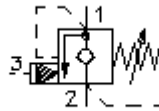
CBP.-12.-.-0-..



Symbol:

Nom. pressure:
350 bar

Nominal flow:
132 l/min.



IMAV-Hydraulik GmbH
Breite Strasse 10
D-40670 Meerbusch (Osterath)
Phone +49 (0)2159 - 9188.0
Fax +49 (0)2159 - 4242
E-mail: info@imav.com
Internet: <http://www.imav.com>

CC-410-121-00

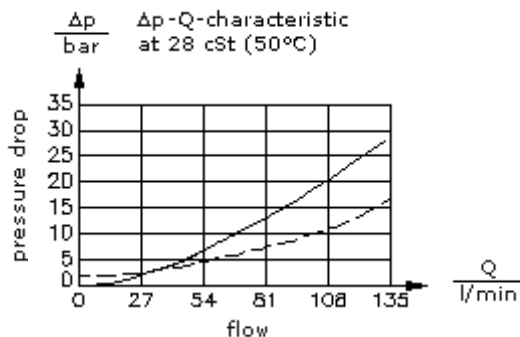
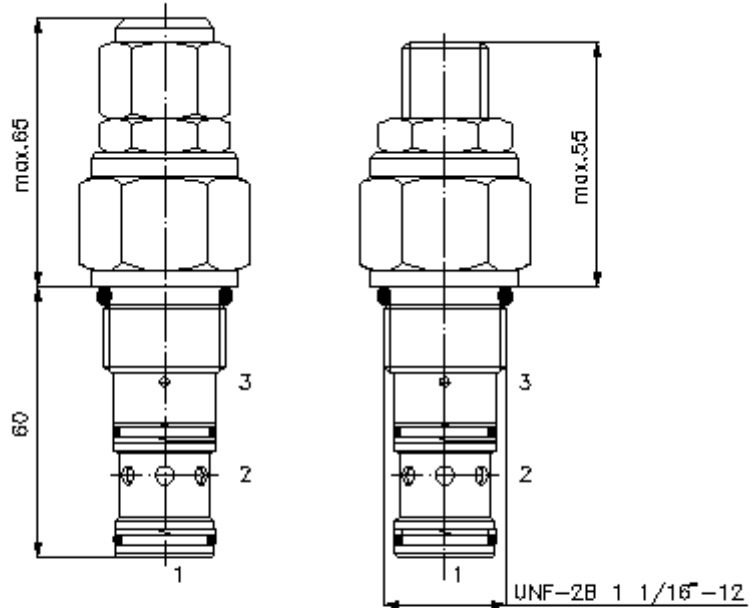
(Subject to change!)

HEX 1"

HEX 1 5/16"
(torque
cartridge:
95 - 100 Nm)

cavity:
C-12-3S
see
data-sheet no.:
[IK-200-129-00](#)

HEW 8 mm



counterbalance valve, screw-in valve (adjustable)

CBP.-12.-0-..

Ordering example:

CBP A - 12N - C - 0 - 30
| | | | |
A **B** **C** **D** **E** **F**



IMAV-Hydraulik GmbH
Breite Strasse 10
D-40670 Meerbusch (Osterath)
Phone +49 (0)2159 - 9188.0
Fax +49 (0)2159 - 4242
E-mail: info@imav.com
Internet: <http://www.imav.com>

CC-410-121-00

(Subject to change!)

Model code:

- | | |
|---|--|
| <p>A design
counter balance valve
adjustable
pilot ratio 4 : 1</p> <p>B seals at spool
A = without seals at the piston (standard)
S = with seals at the piston</p> <p>C size and sealing
12N = Buna (NBR)
12V = Viton (FPM)</p> | <p>D adjustment
S = screw adjustment
C = cap</p> <p>E construction
0 = screw-in valve</p> <p>F pressure range
15 = 3.4 - 105 bar
30 = 20.7 - 210 bar
40 = 41.4 - 276 bar</p> |
|---|--|

Technical Data:

nominal pressure:	350 bar
nominal flow:	132 l/min
weight:	0.38 kg
temperature range:	-40°C to 120°C
fluids:	hydraulic oil as per DIN 51524 T1 (ISO TC 131)
max. leakage:	5 drops/min at 22 cSt (50°C) and approx. 20% below the setted crack pressure
seals:	optional Buna (NBR) or Viton (FPM), as well as Teflon wascher (PTFE)
crack pressure:	0.4 - 0.6 bar (check valve)
cavity:	C-12-3S see datasheet no. IK-200-129-00
housing:	3SLH-12.-B.. see datasheet no. IH-200-000-00
seal kit:	SP-CDS-12N-33S (NBR), SP-CDS-12V-33S (FPM)