

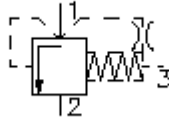
**2 way, 2 position logic valve
piston-type "C"**
LCEF-10.-C--0-...



Symbol:

Nom. pressure:
350 bar

Nominal flow:
76 l/min.



IMAV-Hydraulik GmbH
Breite Strasse 10
D-40670 Meerbusch (Osterath)
Phone +49 (0)2159 - 9188.0
Fax +49 (0)2159 - 4242
E-mail: info@imav.com
Internet: <http://www.imav.com>

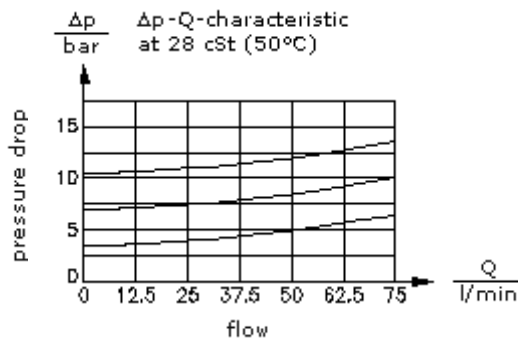
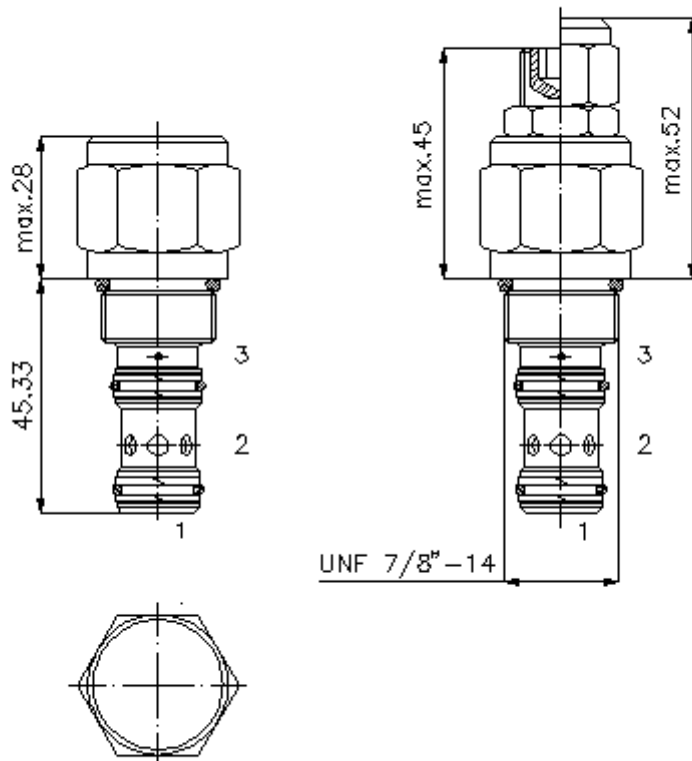
CD-230-101-00
(Subject to change!)

HEX 19 mm

HEX 27 mm
(torque
cartridge:
48 - 54 Nm)

cavity:
C-10-3S
see
data-sheet no.:
[IK-200-109-00](#)

HEW 8 mm



**2 way, 2 position logic valve
piston-type "C"**
LCEF-10.-C--0-...



IMAV-Hydraulik GmbH
Breite Strasse 10
D-40670 Meerbusch (Osterath)
Phone +49 (0)2159 - 9188.0
Fax +49 (0)2159 - 4242
E-mail: info@imav.com
Internet: <http://www.imav.com>

Ordering example:

LCEF - 10N - C - F - 0 - 100
| | | | | |
A **B** **C** **D** **E** **F**

CD-230-101-00
(Subject to change!)

Model code:

- A design**
logic valve
for directional, flow and pressure control
function
- B size and sealing**
10N = Buna (NBR)
10V = Viton (FPM)
- C spool type**
C = base position normally closed
- D adjustment**
F = fixed
S = screw adjustment
C = cap
K = handknob

- E construction**
0 = screw-in valve
- F crack pressure**
070 = 4.8 bar ("F" only)
100 = 6.9 bar ("F" only)
160 = 11.2 bar ("S" only)

Technical Data:

nominal pressure: 350 bar
nominal flow: 76 l/min
weight: 0.21 kg
temperature range: -40°C to 120°C
fluids: hydraulic oil as per DIN 51524 T1 (ISO TC 131)
max. leakage: 85 ccm/min at 22 cSt (50°C)
seals: optional Buna (NBR) or Viton (FPM), as well as Teflon wascher (PTFE)
pilot ratio: 1 : 1
cavity: C-10-3S see datasheet no. [IK-200-109-00](#)
housing: 3SLH-10.-B.. see datasheet no. [IH-200-000-00](#)
seal kit: SP-CDS-10N-34S (NBR), SP-CDS-10V-34S (FPM)