

**3 way, 2 pos. screw-in valve
piston-type "A" (negative)
DCPS-10.-A.-.0-...**

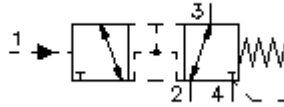


IMAV-Hydraulik GmbH
Breite Strasse 10
D-40670 Meerbusch (Osterath)
Phone +49 (0)2159 - 9188.0
Fax +49 (0)2159 - 4242
E-mail: info@imav.com
Internet: <http://www.imav.com>



Symbol:

(open center position)



Nom. pressure:
350 bar

Nominal flow:
45 l/min.

CD-300-101-00

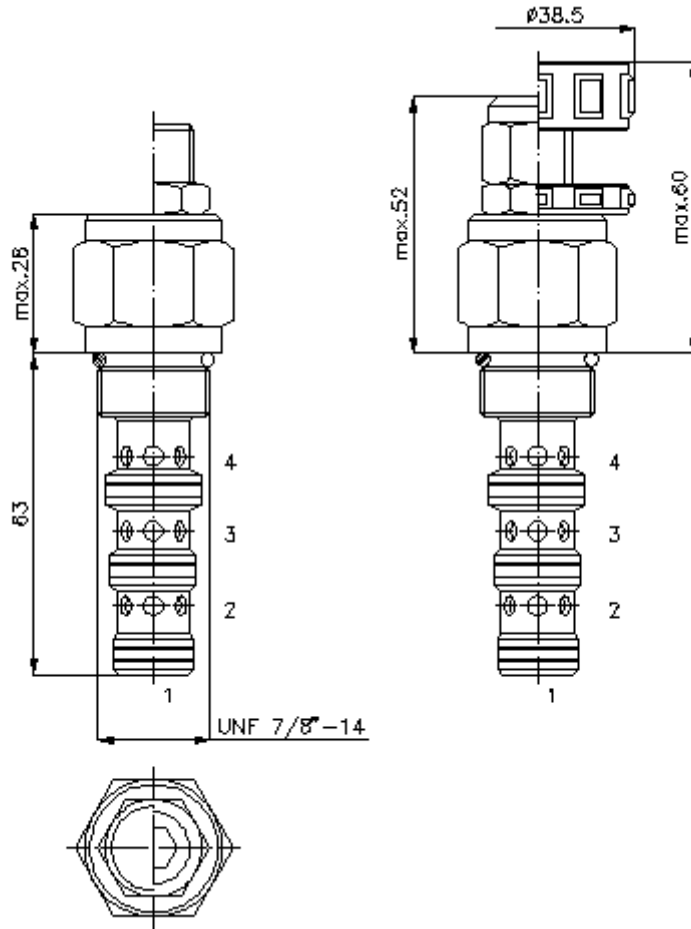
(Subject to change!)

HEX 19 mm

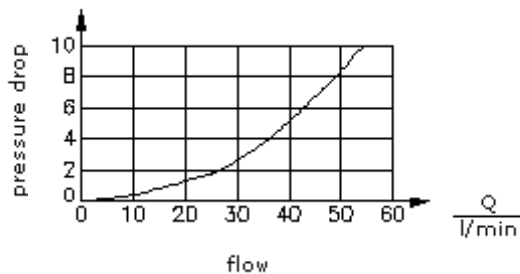
HEX 27 mm
(torque
cartridge:
48 - 54 Nm)

cavity:
C-10-4
see
data-sheet no.:
[IK-400-109-00](#)

HEW 8 mm



$\frac{\Delta p}{\text{bar}}$ Δp -Q-characteristic
at 28 cSt (50°C)



**3 way, 2 pos. screw-in valve
piston-type "A" (negative)
DCPS-10.-A-.-0-...**



IMAV-Hydraulik GmbH
Breite Strasse 10
D-40670 Meerbusch (Osterath)
Phone +49 (0)2159 - 9188.0
Fax +49 (0)2159 - 4242
E-mail: info@imav.com
Internet: <http://www.imav.com>

CD-300-101-00
(Subject to change!)

Ordering example:

DCPS - 10N - A - C - 0 - 200
| | | | | |
A **B** **C** **D** **E** **F**

Model code:

- | | |
|--|---|
| <p>A design
directional valve
hydraulic release
spring centered
spool type valve</p> <p>B size and sealing
10N = Buna (NBR)
10V = Viton (FPM)</p> <p>C spool type
A = open center position</p> <p>D adjustment
F = fixed
S = screw adjustment
C = cap
K = handknob</p> | <p>E construction
0 = screw-in valve</p> <p>F pilot pressure
070 = 4.8 bar ("F" only)
100 = 6.9 bar ("F" only)
200 = 5.2 -13.8 bar ("S" only)</p> |
|--|---|

Technical Data:

- | | |
|---------------------------|--|
| note: | Pilot oil must be higher than crack pressure + pressure at port 4 (A,B,C,D). |
| nominal pressure: | 350 bar |
| nominal flow: | 45 l/min |
| weight: | 0.21 kg |
| temperature range: | -40°C to 120°C |
| fluids: | hydraulic oil as per DIN 51524 T1 (ISO TC 131) |
| max. leakage: | 85 ccm/min at 22 cSt (50°C) |
| seals: | optional Buna (NBR) or Viton (FPM), as well as Teflon wascher (PTFE) |
| cavity: | C-10-4 see datasheet no. IK-400-109-00 Review note! |
| housing: | 4LH-10.-B.. see datasheet no. IH-400-000-00 |
| seal kit: | SP-CDS-10N-13 (NBR), SP-CDS-10V-13 (FPM) |