

### 3 way, 2 pos. priority on dem.valve

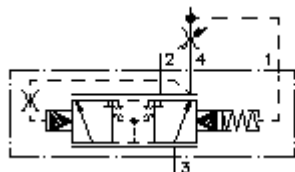
PODS-10.-F-0-...



**Symbol:**

**Nom. pressure:**  
350 bar

**Nominal flow:**  
60 l/min.

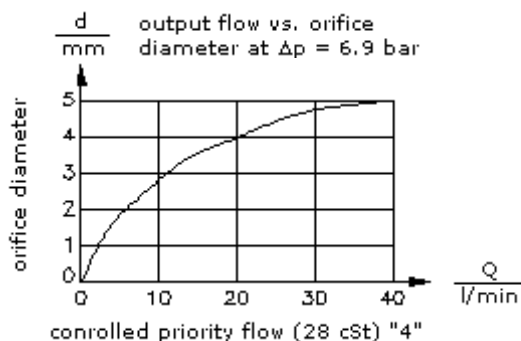
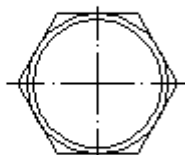
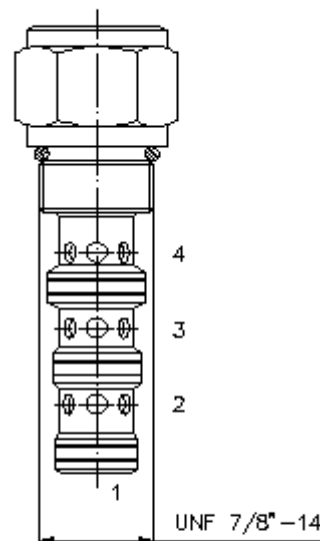
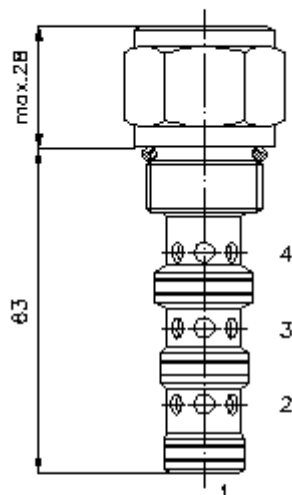


IMAV-Hydraulik GmbH  
Breite Strasse 10  
D-40670 Meerbusch (Osterath)  
Phone +49 (0)2159 - 9188.0  
Fax +49 (0)2159 - 4242  
E-mail: [info@imav.com](mailto:info@imav.com)  
Internet: <http://www.imav.com>

**CD-410-101-00**  
(Subject to change!)

HEX 27mm  
(torque  
cartridge:  
48 - 54 Nm)

cavity: C-10-4  
see  
data-sheet no.:  
[IK-400-109-00](#)



## 3 way, 2 pos.priority on dem.valve

PODS-10.-F-0-...

### Ordering example:

PODS - 10N - F - 0 - 050

<b>A</b>	<b>B</b>	<b>C</b>	<b>D</b>	<b>E</b>



IMAV-Hydraulik GmbH  
Breite Strasse 10  
D-40670 Meerbusch (Osterath)  
Phone +49 (0)2159 - 9188.0  
Fax +49 (0)2159 - 4242  
E-mail: [info@imav.com](mailto:info@imav.com)  
Internet: <http://www.imav.com>

**CD-410-101-00**

(Subject to change!)

### Model code:

**A**

#### design

priority valve  
spool type valve

**B**

#### size and sealing

10N = Buna (NBR)  
10V = Viton (FPM)

**C**

#### adjustment

F = fixed

**D**

#### construction

0 = screw-in valve

**E**

#### differential pressure

050 = 3.4 bar

100 = 6.9 bar

150 = 10.3 bar

### Technical Data:

**nominal pressure:**

350 bar

**nominal flow:**

60 l/min

**weight:**

0.19 kg

**temperature range:**

-40°C to 120°C

**fluids:**

hydraulic oil as per DIN 51524 T1 (ISO TC 131)

**max. leakage:**

85 ccm/min at 22 cSt (50°C)

**seals:**

optional Buna (NBR) or Viton (FPM), as well as Teflon wascher (PTFE)

**cavity:**

C-10-4 see datasheet no. [IK-400-109-00](#) Review note!

**housing:**

4LH-10.-B.. see datasheet no. [IH-400-000-00](#)

**seal kit:**

SP-CDS-10N-13 (NBR), SP-CDS-10V-13 (FPM)