

**throttle check valve, screw-in
(adjustable)
FCVL-10.-.-0-FF**



Symbol:

Nom. pressure:
350 bar

Nominal flow:
70 l/min.



IMAV-Hydraulik GmbH
Breite Strasse 10
D-40670 Meerbusch (Osterath)
Phone +49 (0)2159 - 9188.0
Fax +49 (0)2159 - 4242
E-mail: info@imav.com
Internet: <http://www.imav.com>

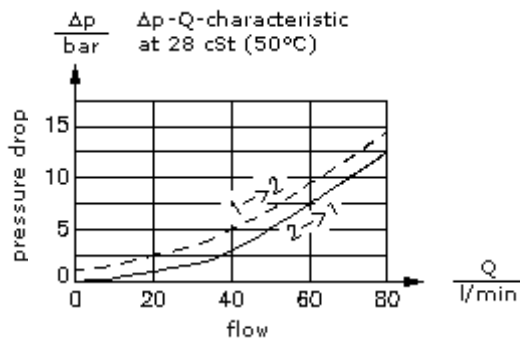
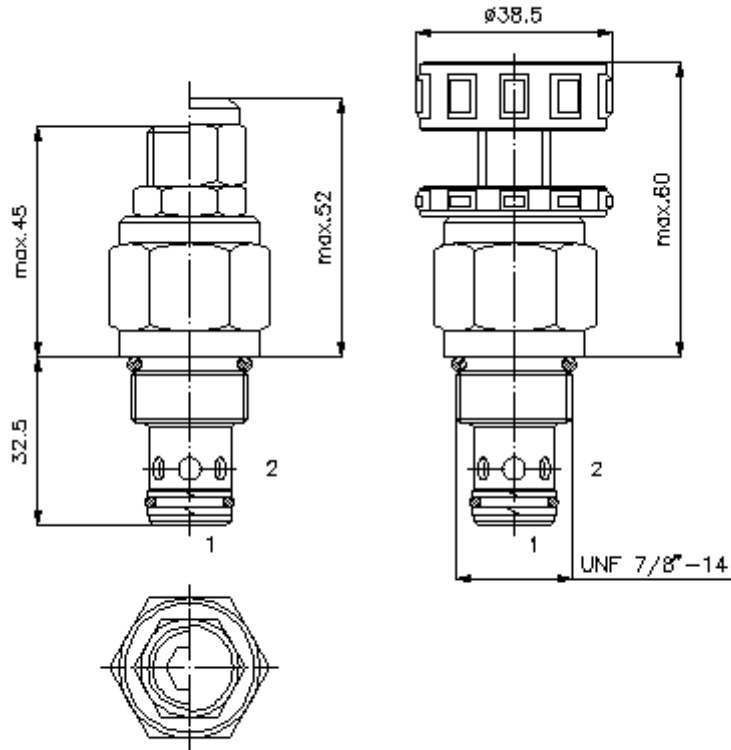
CF-100-101-00
(Subject to change!)

HEX 19 mm

HEX 27 mm
(torque
cartridge:
48 - 54 Nm)

cavity:
C-10-2
see
data-sheet no.:
[IK-100-109-00](#)

HEW 8 mm



**throttle check valve, screw-in
(adjustable)
FCVL-10.-.-0-FF**



IMAV-Hydraulik GmbH
Breite Strasse 10
D-40670 Meerbusch (Osterath)
Phone +49 (0)2159 - 9188.0
Fax +49 (0)2159 - 4242
E-mail: info@imav.com
Internet: <http://www.imav.com>

Ordering example:

FCVL - 10N - C - 0 - FF
| | | | |
A **B** **C** **D** **E**

CF-100-101-00
(Subject to change!)

Model code:

A design
throttle check valve

B size and sealing
10N = Buna (NBR)
10V = Viton (FPM)

C adjustment
S = screw adjustment
C = cap
K = handknob

D construction
0 = screw-in valve

E controlled flow option
FF = throttle-check-valve

Technical Data:

nominal pressure: 350 bar
nominal flow: 70 l/min
weight: 0.17 kg
temperature range: -40°C to 120°C
fluids: hydraulic oil as per DIN 51524 T1 (ISO TC 131)
max. leakage: 5 drops/min at 22 cSt (50°C) and 350 bar
seals: optional Buna (NBR) or Viton (FPM), as well as Teflon wascher (PTFE)
cavity: C-10-2 see datasheet no. [IK-100-109-00](#)
housing: 2LH-10.-B.. see datasheet no. [IH-100-000-00](#)
seal kit: SP-CDS-10N-22 (NBR), SP-CDS-10V-22 (FPM)