

## 2 way flow reg. screw-in valve (fixed)

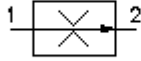
PCFC-12.-F-0-.....



**Symbol:**

**Nom. pressure:**  
350 bar

**Nominal flow:**  
90 l/min.



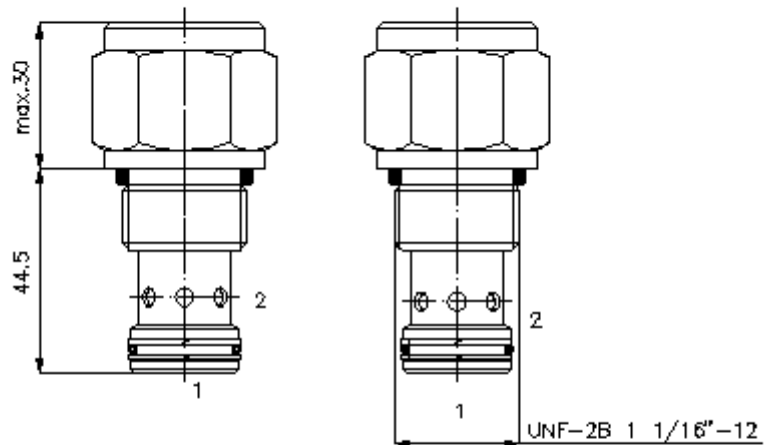
IMAV-Hydraulik GmbH  
Breite Strasse 10  
D-40670 Meerbusch (Osterath)  
Phone +49 (0)2159 - 9188.0  
Fax +49 (0)2159 - 4242  
E-mail: [info@imav.com](mailto:info@imav.com)  
Internet: <http://www.imav.com>

**CF-300-122-00**

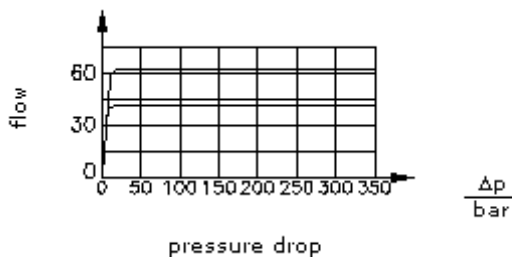
(Subject to change!)

HEX 1 5/16"  
(torque  
cartridge:  
95 - 100 Nm)

cavity:  
C-12-2  
see  
data-sheet no.:  
[IK-100-129-00](#)



$\frac{Q}{l/min}$   $\Delta p$ -Q-characteristic  
at 28 cSt (50°C)



## 2 way flow reg. screw-in valve (fixed)

PCFC-12.-F-0-.....

### Ordering example:

PCFC - 12N - F - 0 - 04.50

A	B	C	D	E



IMAV-Hydraulik GmbH  
Breite Strasse 10  
D-40670 Meerbusch (Osterath)  
Phone +49 (0)2159 - 9188.0  
Fax +49 (0)2159 - 4242  
E-mail: [info@imav.com](mailto:info@imav.com)  
Internet: <http://www.imav.com>

**CF-300-122-00**

(Subject to change!)

### Model code:

- |   |   |
|---|---|
| <p><b>A</b> <b>design</b><br/>flow regulator valve<br/>pressure independend</p> <p><b>B</b> <b>size and sealing</b><br/>12N = Buna (NBR)<br/>12V = Viton (FPM)</p> <p><b>C</b> <b>adjustment</b><br/>F = fixed</p> <p><b>D</b> <b>construction</b><br/>0 = screw-in valve</p> | <p><b>E</b> <b>quantity adjustment</b><br/>requested max. flow<br/>Q specify in gpm<br/>1 l/min = 0.265 Gpm<br/>(1 Gpm = 3.785 l/min)<br/>regulation tolerance<br/>0.9 - 12.0 l/min ± 10.0%<br/>12.0 - 30.0 l/min ± 7.5%<br/>30.0 - 90.0 l/min ± 5.0%</p> |
|---|---|

### Technical Data:

<b>nominal pressure:</b>	350 bar
<b>nominal flow:</b>	60 l/min
<b>weight:</b>	0.34 kg
<b>temperature range:</b>	-40°C to 120°C
<b>fluids:</b>	hydraulic oil as per DIN 51524 T1 (ISO TC 131)
<b>seals:</b>	optional Buna (NBR) or Viton (FPM), as well as Teflon wascher (PTFE)
<b>cavity:</b>	C-12-2 see datasheet no. <a href="#">IK-100-129-00</a>
<b>housing:</b>	2LH-12.-B.. see datasheet no. <a href="#">IH-100-000-00</a>
<b>seal kit:</b>	SP-CDS-12N-22 (NBR), SP-CDS-12V-22 (FPM)