

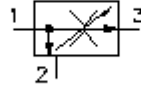
**3 way flow reg.screw-in valve  
(adjustable)  
BFCV-12.-.-0-.....**



**Symbol:**

**Nom. pressure:**  
350 bar

**Nominal flow:**  
75 l/min.



IMAV-Hydraulik GmbH  
Breite Strasse 10  
D-40670 Meerbusch (Osterath)  
Phone +49 (0)2159 - 9188.0  
Fax +49 (0)2159 - 4242  
E-mail: [info@imav.com](mailto:info@imav.com)  
Internet: <http://www.imav.com>

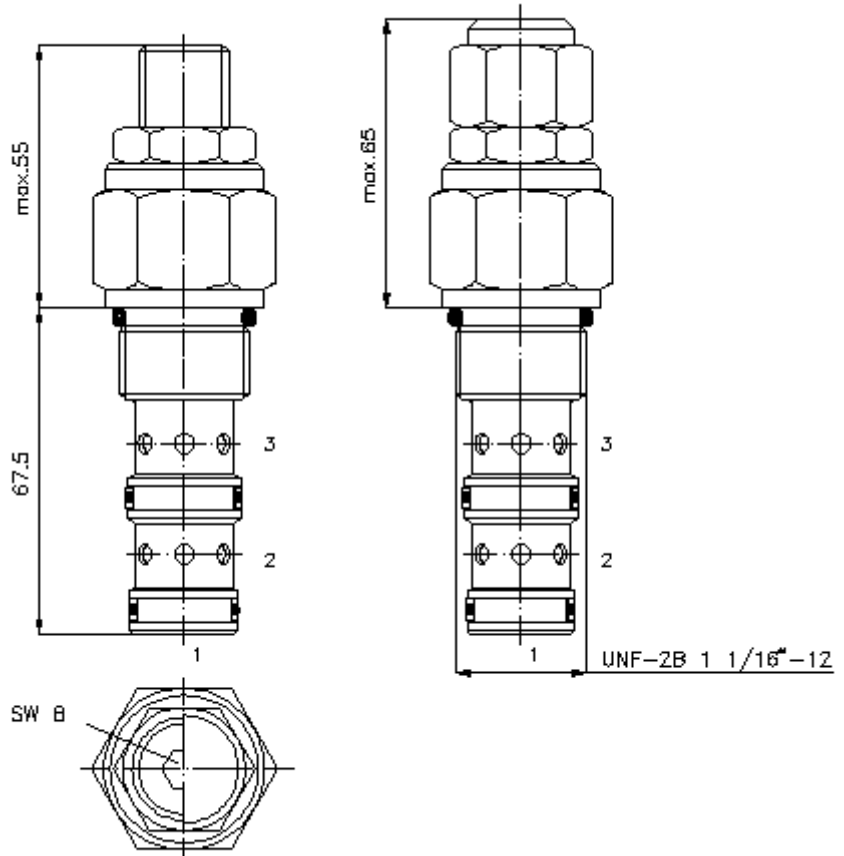
**CF-400-121-00**  
(Subject to change!)

HEX 1"

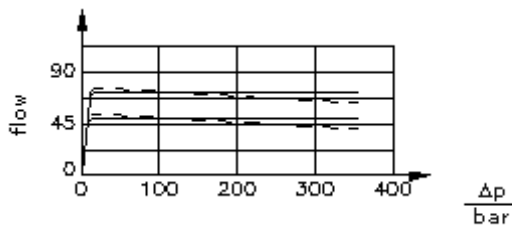
HEX 1 5/16"  
(torque  
cartridge:  
95 - 100 Nm)

cavity:  
C-12-3  
see  
data-sheet no.:  
[IK-300-129-00](#)

HEW 8 mm



$\frac{Q}{l/min}$   $\Delta p$ -Q-characteristic  
at 28 cSt (50°C)



pressure drop

**3 way flow reg.screw-in valve  
(adjustable)  
BFCV-12.-.-0-.....**



IMAV-Hydraulik GmbH  
Breite Strasse 10  
D-40670 Meerbusch (Osterath)  
Phone +49 (0)2159 - 9188.0  
Fax +49 (0)2159 - 4242  
E-mail: [info@imav.com](mailto:info@imav.com)  
Internet: <http://www.imav.com>

**Ordering example:**

BFCV - 12N - C - 0 - 02.20  
|           |           |           |           |  
**A**       **B**       **C**       **D**       **E**

**CF-400-121-00**  
(Subject to change!)

**Model code:**

- A design**  
flow regulator valve  
pressure compensated
- B size and sealing**  
12N = Buna (NBR)  
12V = Viton (FPM)
- C adjustment**  
S = screw adjustment  
C = cap
- D construction**  
0 = screw-in valve

- E quantity adjustment**  
requested max. flow  
Q specify in gpm  
1 l/min = 0.265 Gpm  
(1 Gpm = 3.785 l/min)  
regulation tolerance  
1.8 - 15.0 l/min ± 10.0%  
15.0 - 46.0 l/min ± 7.5%  
46.0 - 75.0 l/min ± 5.0%

**Technical Data:**

- note:** load at Port "2" max. p max.
- nominal pressure:** 350 bar
- nominal flow:** 75 l/min
- weight:** 0.34 kg
- adjustable function:** max. 50% volumen-reduction of the factory set flow
- temperature range:** -40°C to 120°C
- fluids:** hydraulic oil as per DIN 51524 T1 (ISO TC 131)
- seals:** optional Buna (NBR) or Viton (FPM), as well as Teflon wascher (PTFE)
- cavity:** C-12-3 see datasheet no. [IK-300-129-00](#)
- housing:** 3LH-12.-B.. see datasheet no. [IH-300-000-00](#)
- seal kit:** SP-CDS-12N-34 (NBR), SP-CDS-12V-34 (FPM)