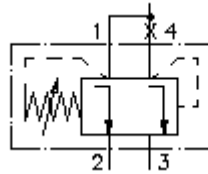


**3 way press.comp.screw-in valve
(adjustable)
PCEB-10.-.-0-...**



Symbol:



Nom. pressure:
350 bar

Nominal flow:
68 l/min.



IMAV-Hydraulik GmbH
Breite Strasse 10
D-40670 Meerbusch (Osterath)
Phone +49 (0)2159 - 9188.0
Fax +49 (0)2159 - 4242
E-mail: info@imav.com
Internet: <http://www.imav.com>

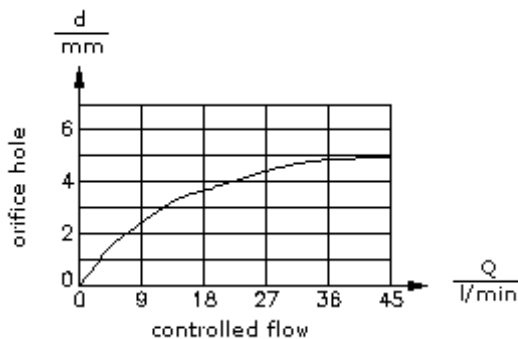
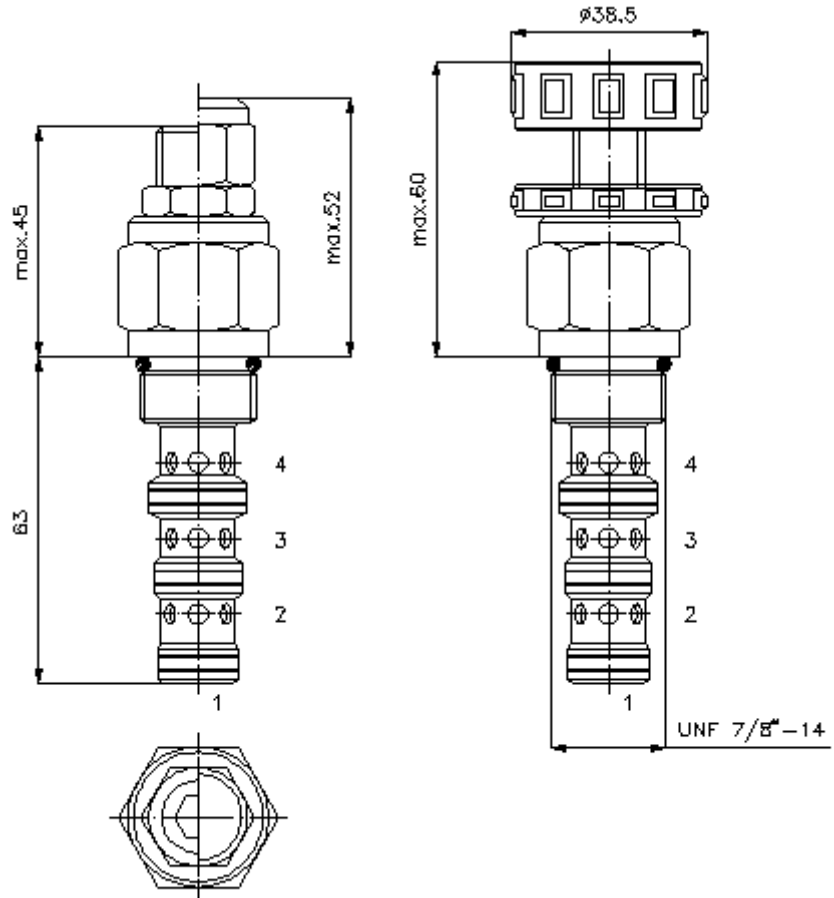
CF-550-101-00
(Subject to change!)

HEX 19 mm

HEX 27 mm
(torque
cartridge:
48 - 54 Nm)

cavity:
C-10-4
see
data-sheet no.:
[IK-400-109-00](#)

HEW 8 mm



**3 way press.comp.screw-in valve
(adjustable)
PCEB-10.-.-0-...**



IMAV-Hydraulik GmbH
Breite Strasse 10
D-40670 Meerbusch (Osterath)
Phone +49 (0)2159 - 9188.0
Fax +49 (0)2159 - 4242
E-mail: info@imav.com
Internet: <http://www.imav.com>

CF-550-101-00
(Subject to change!)

Ordering example:

PCEB - 10N - C - 0 - 100
| | | | |
A **B** **C** **D** **E**

Model code:

- | | |
|---|---|
| A design pressure compensator pressure compensated | D construction 0 = screw-in valve |
| B size and sealing 10N = Buna (NBR) 10V = Viton (FPM) | E differential pressure 160 = 2.8 - 11.0 bar (adjustable only) |
| C adjustment S = screw adjustment C = cap K = handknob | |

Technical Data:

| | |
|---------------------------|--|
| nominal pressure: | 350 bar |
| nominal flow: | 68 l/min |
| weight: | 0.21 kg |
| temperature range: | -40°C to 120°C |
| fluids: | hydraulic oil as per DIN 51524 T1 (ISO TC 131) |
| max. leakage: | 85 ccm/min at 22 cSt (50°C) |
| crack pressure: | adjustment will be determined at a flow of 0.25 l/min |
| seals: | optional Buna (NBR) or Viton (FPM), as well as Teflon wascher (PTFE) |
| cavity: | C-10-4 see datasheet no. IK-400-109-00 Review note! |
| housing: | 4LH-10.-B.. see datasheet no. IH-400-000-00 |
| seal kit: | SP-CDS-10N-13 (NBR), SP-CDS-10V-13 (FPM) |