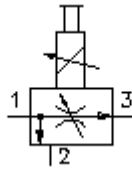


3 way proportional flow regulator- screw-in valve EPFD-16.-...-0-.....



Symbol:



Nom. pressure:
350 bar

Nominal flow:
75 l/min.

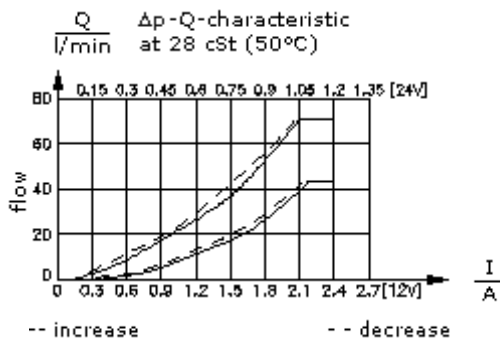
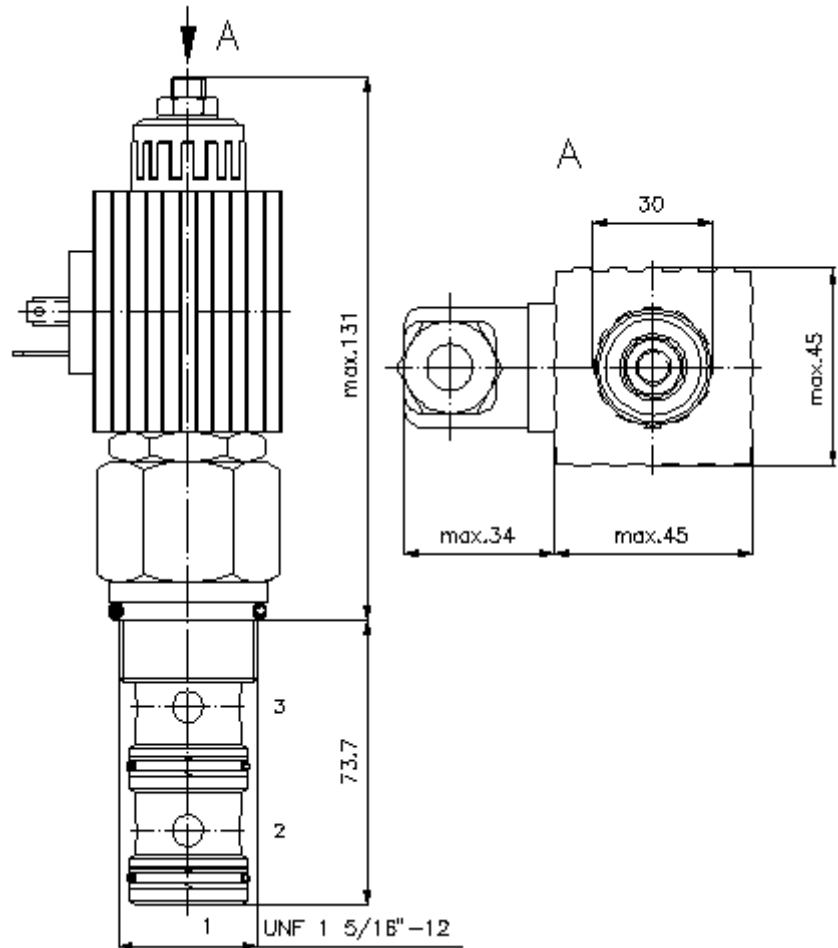


IMAV-Hydraulik GmbH
Breite Strasse 10
D-40670 Meerbusch (Osterath)
Phone +49 (0)2159 - 9188.0
Fax +49 (0)2159 - 4242
E-mail: info@imav.com
Internet: <http://www.imav.com>

CF-920-161-00
(Subject to change!)

HEX 1 1/2"
(torque
cartridge:
109 - 122 Nm)

cavity:
C-16-3
see
data-sheet no.:
[IK-300-169-00](#)



3 way proportional flow regulator- screw-in valve EPFD-16.-...-0-.....



IMAV-Hydraulik GmbH
Breite Strasse 10
D-40670 Meerbusch (Osterath)
Phone +49 (0)2159 - 9188.0
Fax +49 (0)2159 - 4242
E-mail: info@imav.com
Internet: <http://www.imav.com>

CF-920-161-00

(Subject to change!)

Ordering example:

EPFD - 16N - 05 - 0 - 024D G
| | | | | |
A **B** **C** **D** **E** **F**

Model code:

- | | |
|---|---|
| <p>A design
proportional priority flow regulator valve
pressure compensated
spool type valve
with manual override</p> <p>B size and sealing
16N = Buna (NBR)
16V = Viton (FPM)</p> <p>C regulated pressure
05 = 0 - 19 l/min
10 = 0 - 38 l/min
15 = 0 - 57 l/min
20 = 0 - 76 l/min</p> | <p>D construction
0 = screw-in valve</p> <p>E voltage
012D = 12V DC
024D = 24V DC</p> <p>F power supply
G = DIN 43650 connector, other
connectors see data sheet no.: CS-010-
000-00</p> |
|---|---|

Technical Data:

nominal pressure:	350 bar
nominal flow:	75 l/min
weight:	1.2 kg
temperature range:	-40°C to 120°C
fluids:	hydraulic oil as per DIN 51524 T1 (ISO TC 131)
max. leakage:	330 ccm/min at 28.5 cSt (50°C) and 350 bar
seals:	optional Buna (NBR) or Viton (FPM), as well as Teflon wascher (PTFE)
hysteresis:	approx. 1.8 l/min
power consumption:	29 W
pilot voltage:	0.2 - 2.4 Amp. at 12 V DC 0.1 - 1.2 Amp. at 24 V DC
cavity:	C-16-3 see datasheet no. IK-300-169-00
housing:	3LH-16.-B.. see datasheet no. IH-300-000-00
seal kit:	SP-CDS-16N-34 (EHPFD) (NBR), SP-CDS-16V-34 (EHPFD) (FPM)