

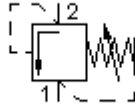
**relief valve, screw-in type  
(direct acting, adjustable)  
RVDA-10.-.-0-..**



**Symbol:**

**Nom. pressure:**  
350 bar

**Nominal flow:**  
75 l/min.



IMAV-Hydraulik GmbH  
Breite Strasse 10  
D-40670 Meerbusch (Osterath)  
Phone +49 (0)2159 - 9188.0  
Fax +49 (0)2159 - 4242  
E-mail: [info@imav.com](mailto:info@imav.com)  
Internet: <http://www.imav.com>

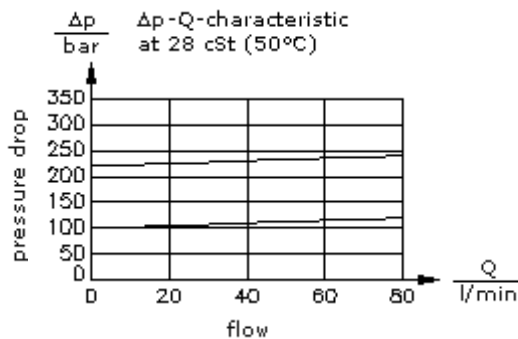
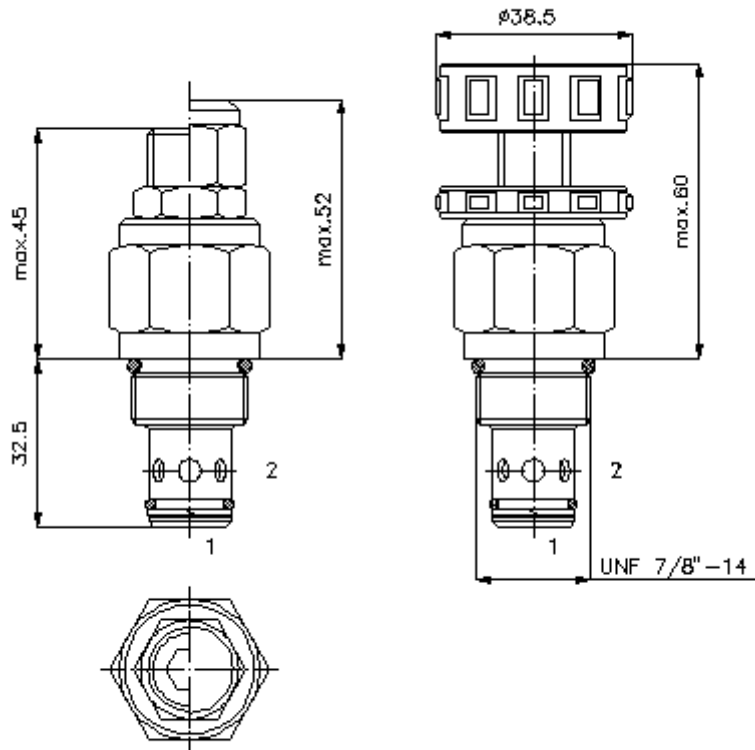
**CP-120-101-00**  
(Subject to change!)

HEX 19 mm

HEX 27 mm  
(torque  
cartridge:  
48 - 54 Nm)

cavity:  
C-10-2  
see  
data-sheet no.:  
[IK-100-109-00](#)

HEW 8 mm



**relief valve, screw-in type  
(direct acting, adjustable)  
RVDA-10.-.-0-..**



IMAV-Hydraulik GmbH  
Breite Strasse 10  
D-40670 Meerbusch (Osterath)  
Phone +49 (0)2159 - 9188.0  
Fax +49 (0)2159 - 4242  
E-mail: [info@imav.com](mailto:info@imav.com)  
Internet: <http://www.imav.com>

**CP-120-101-00**

(Subject to change!)

**Ordering example:**

RVDA - 10N - C - 0 - 30  
|           |           |           |           |  
**A**       **B**       **C**       **D**       **E**

**Model code:**

- A design**  
relief-valve  
poppet type valve  
direct acting
- B size and sealing**  
10N = Buna (NBR)  
10V = Viton (FPM)
- C adjustment**  
S = screw adjustment  
C = cap  
K = handknob

- D construction**  
0 = screw-in valve
- E pressure range**  
15 = 6.9 - 105 bar  
30 = 20.7 - 210 bar  
50 = 34.5 - 350 bar

**Technical Data:**

- nominal pressure:** 350 bar
- nominal flow:** 75 l/min
- weight:** 0.17 kg
- temperature range:** -40°C to 120°C
- fluids:** hydraulic oil as per DIN 51524 T1 (ISO TC 131)
- max. leakage:** 5 drops/min at 28.5 cSt (50°C) and 85% crack pressure
- seals:** optional Buna (NBR) or Viton (FPM), as well as Teflon wascher (PTFE)
- crack pressure:** adjustment will be determined at a flow of 0.25 l/min
- cavity:** C-10-2 see datasheet no. [IK-100-109-00](#)
- housing:** 2LH-10.-B.. see datasheet no. [IH-100-000-00](#)
- seal kit:** SP-CDS-10N-21 (NBR), SP-CDS-10V-21 (FPM)