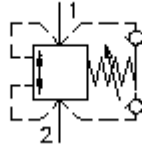


bi-direction relief valve, screw-in valve (direct acting, adjustable)
RVBD-10.-.-0-..



Symbol:



Nom. pressure:
350 bar

Nominal flow:
75 l/min.

IMAV-Hydraulik GmbH
 Breite Strasse 10
 D-40670 Meerbusch (Osterath)
 Phone +49 (0)2159 - 9188.0
 Fax +49 (0)2159 - 4242
 E-mail: info@imav.com
 Internet: <http://www.imav.com>

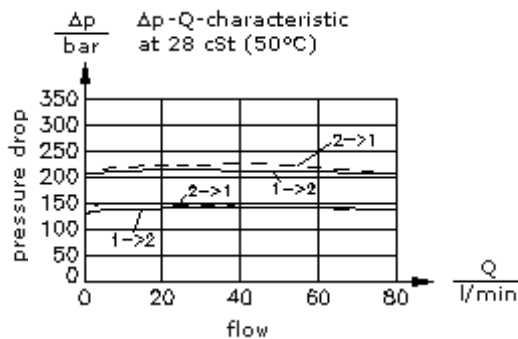
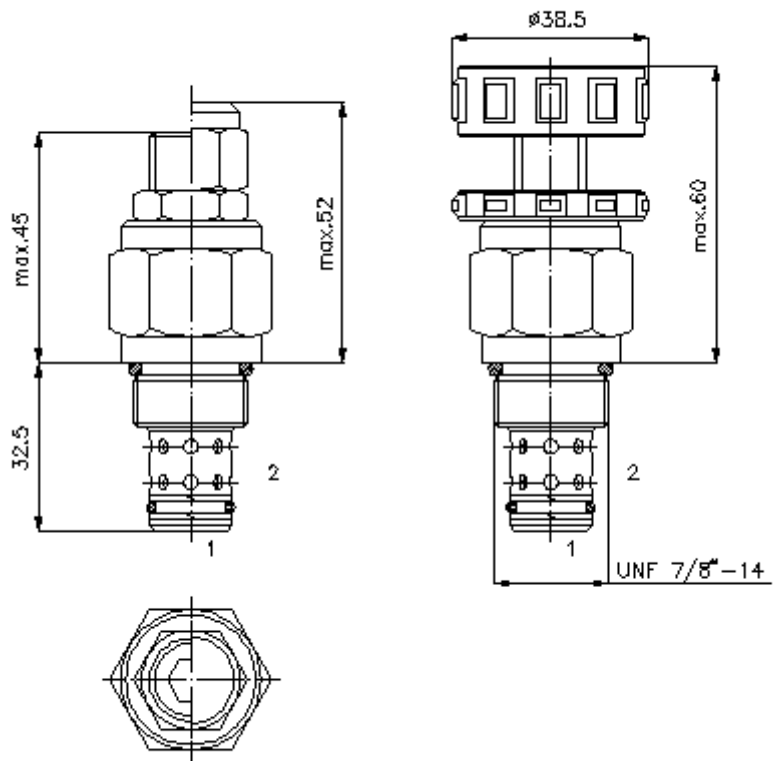
CP-150-101-00
 (Subject to change!)

HEX 19 mm

HEX 27 mm
 (torque
 cartridge:
 48 - 54 Nm)

cavity:
 C-10-2
 see
 data-sheet no.:
[IK-100-109-00](#)

HEW 8 mm



**bi-direction relief valve, screw-in
valve (direct acting, adjustable)
RVBD-10.-.-0-..**



IMAV-Hydraulik GmbH
Breite Strasse 10
D-40670 Meerbusch (Osterath)
Phone +49 (0)2159 - 9188.0
Fax +49 (0)2159 - 4242
E-mail: info@imav.com
Internet: <http://www.imav.com>

CP-150-101-00

(Subject to change!)

Ordering example:

RVBD - 10N - C - 0 - 30
| | | | |
A **B** **C** **D** **E**

Model code:

- A design**
bi-directional relief-valve
poppet type valve
direct acting
- B size and sealing**
10N = Buna (NBR)
10V = Viton (FPM)
- C adjustment**
S = screw adjustment
C = cap
K = handknob

- D construction**
0 = screw-in valve
- E pressure range**
15 = 6.9 - 105 bar
30 = 20.7 - 210 bar
50 = 34.5 - 350 bar

Technical Data:

nominal pressure:	350 bar
nominal flow:	75 l/min
weight:	0.17 kg
temperature range:	-40°C to 120°C
fluids:	hydraulic oil as per DIN 51524 T1 (ISO TC 131)
max. leakage:	85 ccm/min at 28.5 cSt (50°C) and 85 % crack pressure
seals:	optional Buna (NBR) or Viton (FPM), as well as Teflon wascher (PTFE)
crack pressure:	adjustment will be determined at a flow of 0.25 l/min
cavity:	C-10-2 see datasheet no. IK-100-109-00
housing:	2LH-10.-B.. see datasheet no. IH-100-000-00
seal kit:	SP-CDS-10N-22 (NBR), SP-CDS-10V-22 (FPM)