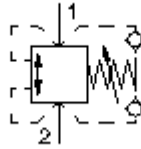


bi-direction relief valve, screw-in valve (direct acting, adjustable)
RVBD-12.-.-0-..



Symbol:



Nom. pressure:
350 bar

Nominal flow:
150 l/min.

IMAV-Hydraulik GmbH
 Breite Strasse 10
 D-40670 Meerbusch (Osterath)
 Phone +49 (0)2159 - 9188.0
 Fax +49 (0)2159 - 4242
 E-mail: info@imav.com
 Internet: <http://www.imav.com>

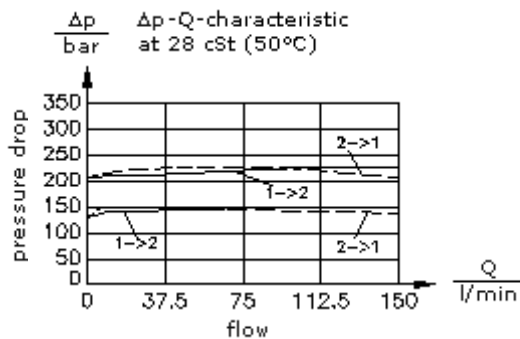
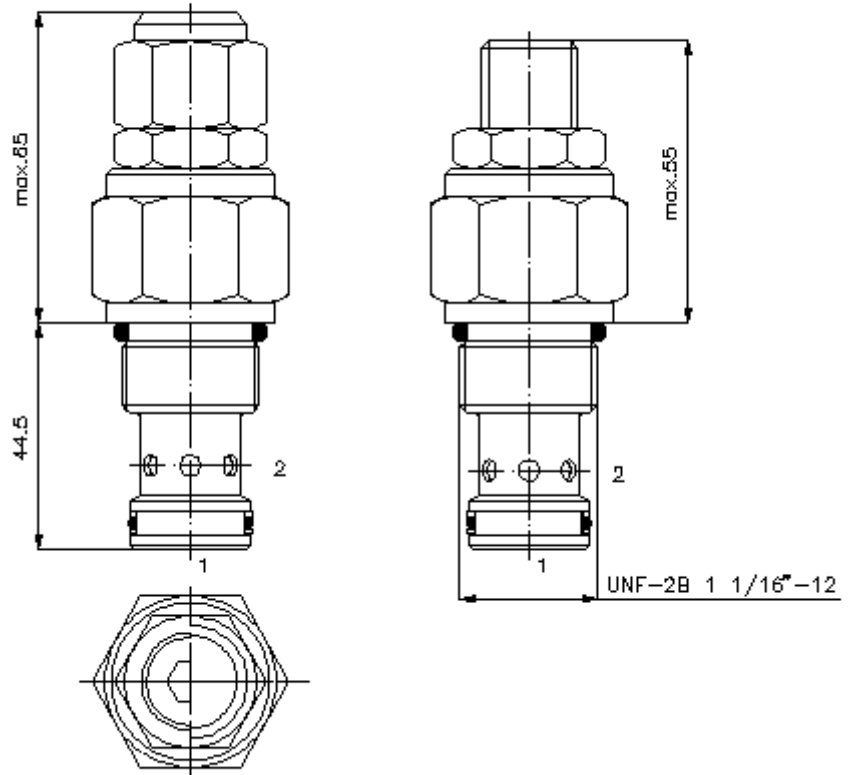
CP-150-121-00
 (Subject to change!)

HEX 1"

HEX 1 5/16"
 (torque cartridge:
 95 - 100 Nm)

cavity:
 C-12-2
 see
 data-sheet no.:
[IK-100-129-00](#)

HEW 8 mm



**bi-direction relief valve, screw-in
valve (direct acting, adjustable)
RVBD-12.-.-0-..**



IMAV-Hydraulik GmbH
Breite Strasse 10
D-40670 Meerbusch (Osterath)
Phone +49 (0)2159 - 9188.0
Fax +49 (0)2159 - 4242
E-mail: info@imav.com
Internet: <http://www.imav.com>

CP-150-121-00

(Subject to change!)

Ordering example:

RVBD - 12N - C - 0 30
| | | | |
A **B** **C** **D** **E**

Model code:

- A design**
bi-directional relief-valve
poppet type valve
direct acting
- B size and sealing**
12N = Buna (NBR)
12V = Viton (FPM)
- C adjustment**
S = screw adjustment
C = cap
K = handknob

- D construction**
0 = screw-in valve
- E pressure range**
15 = 6.9 - 105 bar
30 = 20.7 - 210 bar
50 = 34.5 - 350 bar

Technical Data:

nominal pressure: 350 bar
nominal flow: 150 l/min
weight: 0.34 kg
temperature range: -40°C to 120°C
fluids: hydraulic oil as per DIN 51524 T1 (ISO TC 131)
max. leakage: 85 ccm/min at 28.5 cSt (50°C) and 85 % crack pressure
seals: optional Buna (NBR) or Viton (FPM), as well as Teflon wascher (PTFE)
crack pressure: adjustment will be determined at a flow of 0.25 l/min
cavity: C-12-2 see datasheet no. [IK-100-129-00](#)
housing: 2LH-12.-B.. see datasheet no. [IH-100-000-00](#)
seal kit: SP-CDS-12N-22 (NBR), SP-CDS-12V-22 (FPM)