

**3 way press.reg.screw-in valve
(pilot operated, adjustable)
PRRS-10.-.-0-..**



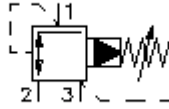
IMAV-Hydraulik GmbH
Breite Strasse 10
D-40670 Meerbusch (Osterath)
Phone +49 (0)2159 - 9188.0
Fax +49 (0)2159 - 4242
E-mail: info@imav.com
Internet: <http://www.imav.com>



Symbol:

Nom. pressure:
350 bar

Nominal flow:
45 l/min.



CP-210-101-00

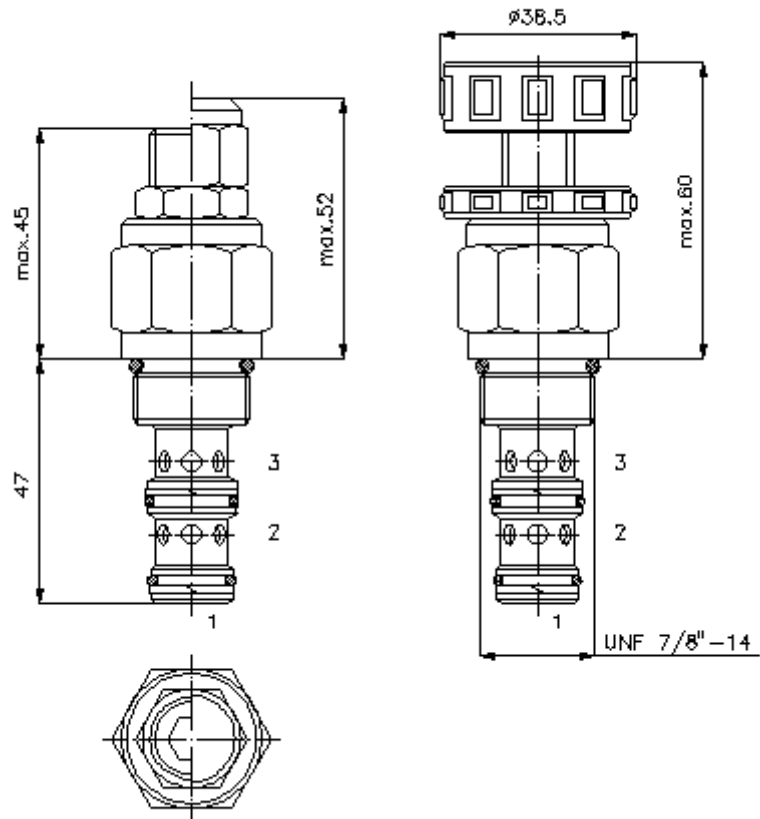
(Subject to change!)

HEX 19 mm

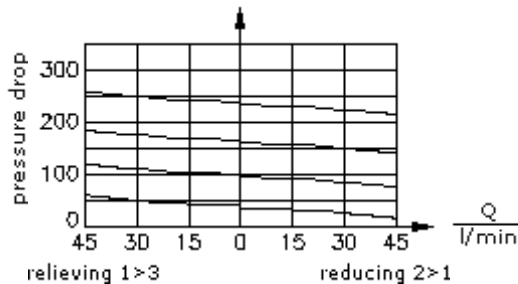
HEX 27 mm
(torque
cartridge:
48 - 54 Nm)

cavity:
C-10-3
see
data-sheet no.:
[IK-300-109-00](#)

HEW 8 mm



$\frac{\Delta p}{\text{bar}}$ Δp -Q-characteristic
at 28 cSt (50°C)



**3 way press.reg.screw-in valve
(pilot operated, adjustable)
PRRS-10.-.-0-..**



IMAV-Hydraulik GmbH
Breite Strasse 10
D-40670 Meerbusch (Osterath)
Phone +49 (0)2159 - 9188.0
Fax +49 (0)2159 - 4242
E-mail: info@imav.com
Internet: <http://www.imav.com>

CP-210-101-00

(Subject to change!)

Ordering example:

PRRS - 10N - C - 0 - 30
| | | | |
A **B** **C** **D** **E**

Model code:

A design
pressure regulator valve
spool type valve
pilot operated

B size and sealing
10N = Buna (NBR)
10V = Viton (FPM)

C adjustment
S = screw adjustment
C = cap
K = handknob

D construction
0 = screw-in valve

E pressure range
15 = 3.4 - 105 bar
30 = 3.4 - 210 bar
50 = 3.4 - 350 bar

Technical Data:

nominal pressure: 350 bar
nominal flow: 45 l/min
weight: 0.19 kg
temperature range: -40°C to 120°C
fluids: hydraulic oil as per DIN 51524 T1 (ISO TC 131)
max. leakage: 85 ccm/min at 28.5 cSt (50°C) and 85 % crack pressure
seals: optional Buna (NBR) or Viton (FPM), as well as Teflon wascher (PTFE)
crack pressure: adjustment will be determined at a flow of 0.25 l/min
cavity: C-10-3 see datasheet no. [IK-300-109-00](#)
housing: 3LH-10.-B.. see datasheet no. [IH-300-000-00](#)
seal kit: SP-CDS-10N-32 (NBR), SP-CDS-10V-32 (FPM)