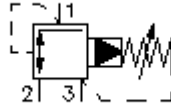


**3 way press.reg.screw-in valve
(pilot operated, adjustable)
PRRS-12.-.-0-..**



Symbol:



Nom. pressure:
350 bar

Nominal flow:
90 l/min.



IMAV-Hydraulik GmbH
Breite Strasse 10
D-40670 Meerbusch (Osterath)
Phone +49 (0)2159 - 9188.0
Fax +49 (0)2159 - 4242
E-mail: info@imav.com
Internet: <http://www.imav.com>

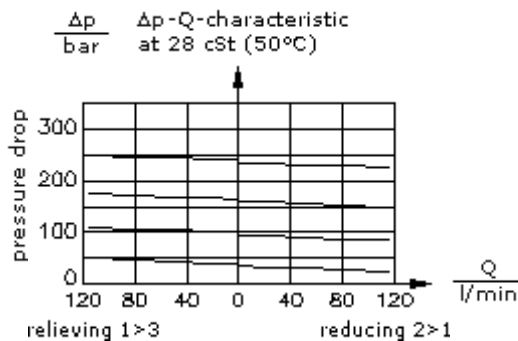
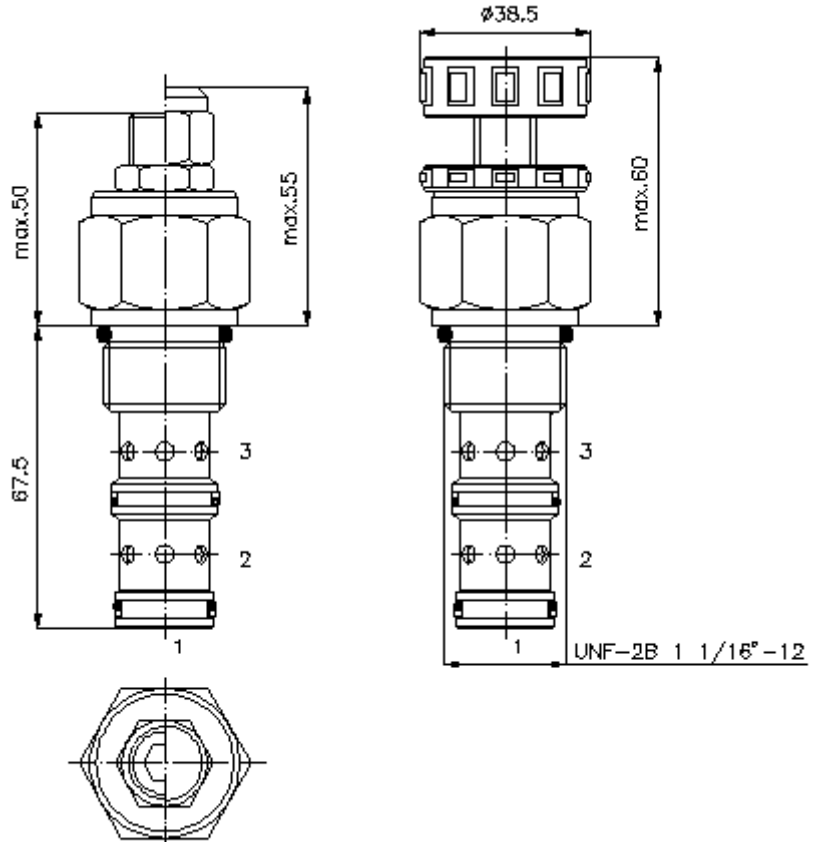
CP-210-121-00
(Subject to change!)

HEX 1"

HEX 1 5/16"
(torque
cartridge:
95 - 100 Nm)

cavity:
C-12-3
see
data-sheet no.:
[IK-300-129-00](#)

HEW 8 mm



**3 way press.reg.screw-in valve
(pilot operated, adjustable)
PRRS-12.-.-0-..**



IMAV-Hydraulik GmbH
Breite Strasse 10
D-40670 Meerbusch (Osterath)
Phone +49 (0)2159 - 9188.0
Fax +49 (0)2159 - 4242
E-mail: info@imav.com
Internet: <http://www.imav.com>

CP-210-121-00

(Subject to change!)

Ordering example:

PRRS - 12N - C - 0 - 30
| | | | |
A **B** **C** **D** **E**

Model code:

A design
pressure regulator valve
spool type valve
pilot operated

B size and sealing
12N = Buna (NBR)
12V = Viton (FPM)

C adjustment
S = screw adjustment
C = cap
K = handknob

D construction
0 = screw-in valve

E pressure range
15 = 3.4 - 105 bar
30 = 3.4 - 210 bar
50 = 3.4 - 350 bar

Technical Data:

nominal pressure: 350 bar
nominal flow: 90 l/min
weight: 0.26 kg
temperature range: -40°C to 120°C
fluids: hydraulic oil as per DIN 51524 T1 (ISO TC 131)
max. leakage: 85 ccm/min at 28.5 cSt (50°C) and 85 % crack pressure
seals: optional Buna (NBR) or Viton (FPM), as well as Teflon wascher (PTFE)
crack pressure: adjustment will be determined at a flow of 0.25 l/min
cavity: C-12-3 see datasheet no. [IK-300-129-00](#)
housing: 3LH-12.-B.. see datasheet no. [IH-300-000-00](#)
seal kit: SP-CDS-12N-32 (NBR), SP-CDS-12V-32 (FPM)