

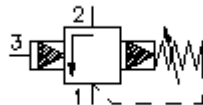
**pressure sequence screw-in
valve (pilot operated, adjustable)
HLSV-10.-.-0-..**



Symbol:

Nom. pressure:
350 bar

Nominal flow:
75 l/min.



IMAV-Hydraulik GmbH
Breite Strasse 10
D-40670 Meerbusch (Osterath)
Phone +49 (0)2159 - 9188.0
Fax +49 (0)2159 - 4242
E-mail: info@imav.com
Internet: <http://www.imav.com>

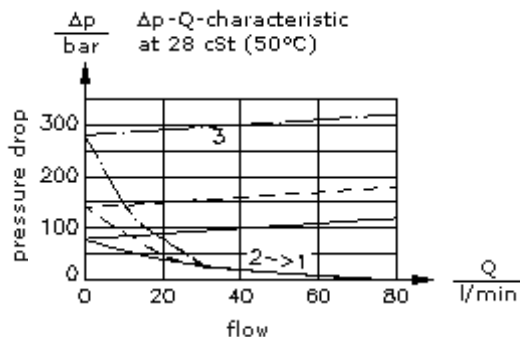
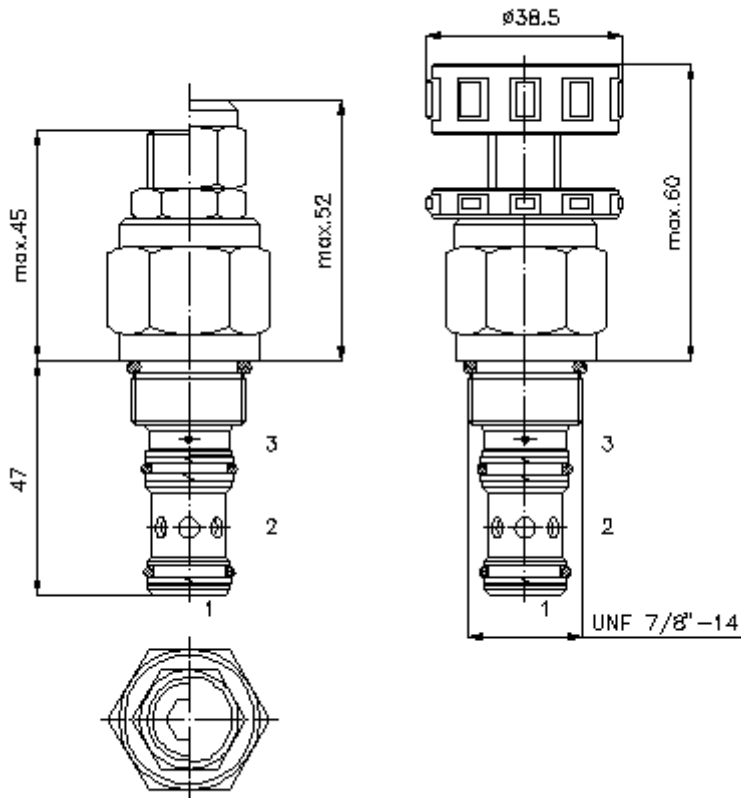
CP-350-101-00
(Subject to change!)

HEX 19 mm

HEX 27 mm
(torque
cartridge:
48 - 54 Nm)

cavity:
C-10-3S
see
data-sheet no.:
[IK-200-109-00](#)

HEW 8 mm



**pressure sequence screw-in
valve (pilot operated, adjustable)
HLSV-10.-.-0-..**



IMAV-Hydraulik GmbH
Breite Strasse 10
D-40670 Meerbusch (Osterath)
Phone +49 (0)2159 - 9188.0
Fax +49 (0)2159 - 4242
E-mail: info@imav.com
Internet: <http://www.imav.com>

CP-350-101-00

(Subject to change!)

Ordering example:

HLSV - 10N - C - 0 20
| | | | |
A **B** **C** **D** **E**

Model code:

- A design**
high-low-sequence-valve
spool type valve
pilot operated
- B size and sealing**
10N = Buna (NBR)
10V = Viton (FPM)
- C adjustment**
S = screw adjustment
C = cap
K = handknob

- D construction**
0 = screw-in valve
- E pressure range**
12 = 17.2 - 83 bar
20 = 55.2 - 140 bar
40 = 151.7 - 276 bar

Technical Data:

nominal pressure:	350 bar
nominal flow:	75 l/min
weight:	0.24 kg
temperature range:	-40°C to 120°C
fluids:	hydraulic oil as per DIN 51524 T1 (ISO TC 131)
max. leakage:	85 ccm/min at 28.5 cSt (50°C) and 85 % crack pressure
seals:	optional Buna (NBR) or Viton (FPM), as well as Teflon wascher (PTFE)
crack pressure:	adjustment will be determined at a flow of 0.25 l/min
cavity:	C-10-3S see datasheet no. IK-200-109-00
housing:	3SLH-10.-B.. see datasheet no. IH-200-000-00
seal kit:	SP-CDS-10N-33S (NBR), SP-CDS-10V-33S (FPM)