

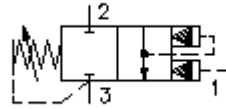
**3 way, 2 pos. screw-in valve
with breaker (pilot op., adjustable)
BSXS-10.-.-0-..**



Symbol:

Nom. pressure:
350 bar

Nominal flow:
45 l/min.



IMAV-Hydraulik GmbH
Breite Strasse 10
D-40670 Meerbusch (Osterath)
Phone +49 (0)2159 - 9188.0
Fax +49 (0)2159 - 4242
E-mail: info@imav.com
Internet: <http://www.imav.com>

CP-520-101-00

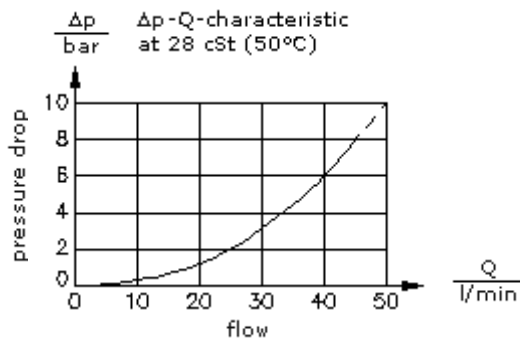
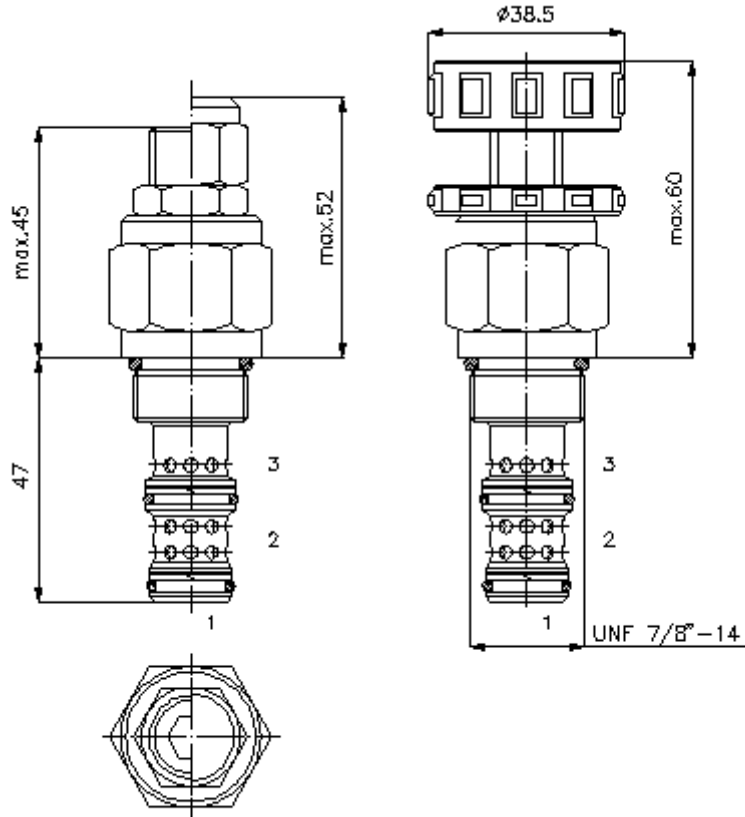
(Subject to change!)

HEX 19 mm

HEX 27 mm
(torque
cartridge:
48 - 54 Nm)

cavity:
C-10-3
see
data-sheet no.:
[IK-300-109-00](#)

HEW 8 mm



**3 way, 2 pos. screw-in valve
with breaker (pilot op.,adjustable)
BSXS-10.-.-0-..**



IMAV-Hydraulik GmbH
Breite Strasse 10
D-40670 Meerbusch (Osterath)
Phone +49 (0)2159 - 9188.0
Fax +49 (0)2159 - 4242
E-mail: info@imav.com
Internet: <http://www.imav.com>

Ordering example:

BSXS - 10N - C - 0 - 30
| | | | |
A **B** **C** **D** **E**

CP-520-101-00
(Subject to change!)

Model code:

- A design**
directional valve
spool type valve
external pilot
pilot operated
with self-lock
- B size and sealing**
10N = Buna (NBR)
10V = Viton (FPM)

- C adjustment**
S = screw adjustment
C = cap
K = handknob
- D construction**
0 = screw-in valve
- E pressure range**
15 = 3.4 - 105 bar
30 = 3.4 - 210 bar
50 = 3.4 - 350 bar

Technical Data:

nominal pressure:	350 bar
nominal flow:	45 l/min
weight:	0.19 kg
temperature range:	-40°C to 120°C
fluids:	hydraulic oil as per DIN 51524 T1 (ISO TC 131)
max. leakage (de-energized):	85 ccm/min at 28.5 cSt (50°C) and 85 % crack pressure
seals:	optional Buna (NBR) or Viton (FPM), as well as Teflon wascher (PTFE)
crack pressure:	adjustment will be determined at a flow of 0.25 l/min
cavity:	C-10-3 see datasheet no. IK-300-109-00
housing:	3LH-10.-B.. see datasheet no. IH-300-000-00
seal kit:	SP-CDS-10N-32 (NBR), SP-CDS-10V-32 (FPM)