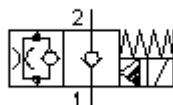


**2 way, 2 pos. sol. valve, poppet
(normally closed)
EMDV-10.-C2-0-.....**



Symbol:



Nom. pressure:
350 bar

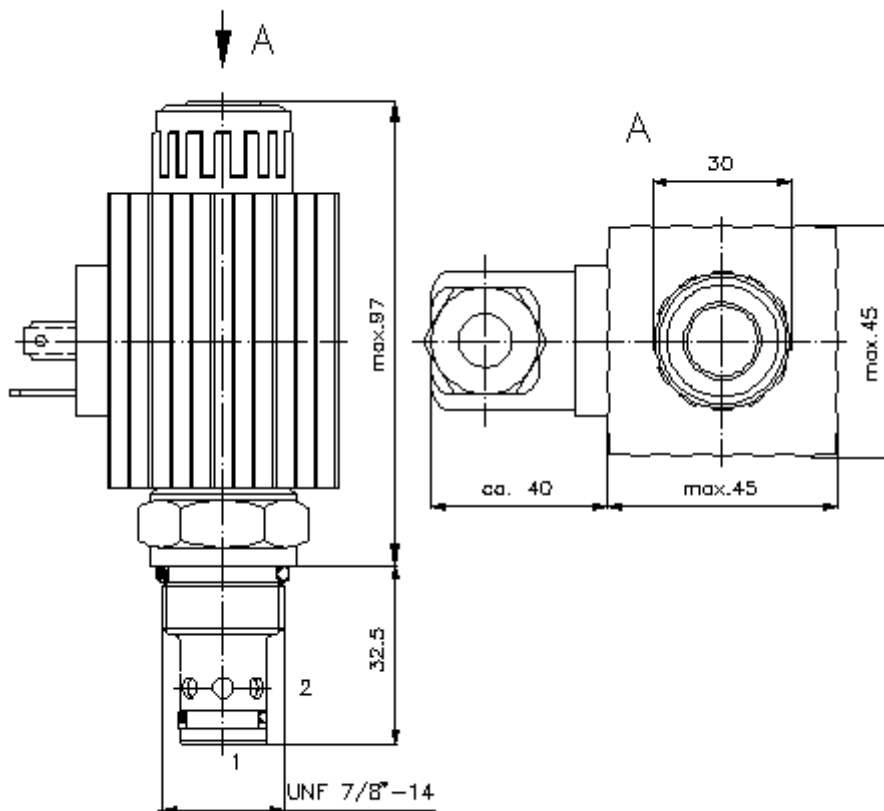
Nominal flow:
60 l/min.

IMAV-Hydraulik GmbH
Breite Strasse 10
D-40670 Meerbusch (Osterath)
Phone +49 (0)2159 - 9188.0
Fax +49 (0)2159 - 4242
E-mail: info@imav.com
Internet: <http://www.imav.com>

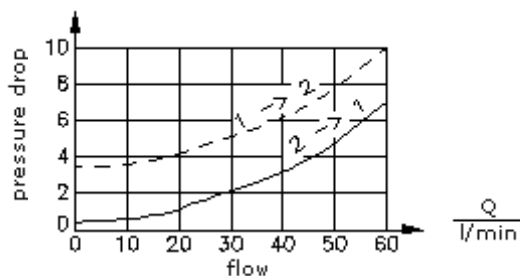
CS-210-101-00
(Subject to change!)

HEX 27mm
(torque
cartridge:
48 - 54 Nm)

cavity:
C-10-2
see
data-sheet no.:
[IK-100-109-00](#)



$\frac{\Delta p}{\text{bar}}$ Δp -Q-characteristic
at 28 cSt (50°C)



2 way, 2 pos. sol. valve, poppet (normally closed)

EMDV-10.-C2-0-.....

Ordering example:

EMDV - 10N - C2 - 0 - 024D G
| | | | | |
A **B** **C** **D** **E** **F**



IMAV-Hydraulik GmbH
Breite Strasse 10
D-40670 Meerbusch (Osterath)
Phone +49 (0)2159 - 9188.0
Fax +49 (0)2159 - 4242
E-mail: info@imav.com
Internet: <http://www.imav.com>

CS-210-101-00

(Subject to change!)

Model code:

- A design**
solenoid valve
poppet type valve
pilot operated
- B size and sealing**
10N = Buna (NBR)
10V = Viton (FPM)
- C symbol function mode**
C2 = normally closed
- D construction**
0 = screw-in valve
- E voltage**
DC current:
012D = 12V DC
024D = 24V DC
AC current:
120A = 120V AC
240A = 240V AC
other voltage on request
- F power supply**
G = DIN 43650 connector, other
connectors see data sheet no.: CS-010-
000-00

Technical Data:

- nominal pressure:** 350 bar
- nominal flow:** 60 l/min
- weight:** 0.86 kg
- temperature range:** -40°C to 120°C
- fluids:** hydraulic oil as per DIN 51524 T1 (ISO TC 131)
- max. leakage:** 5 drops/min at 22 cSt (50°C) and 350 bar
- seals:** optional Buna (NBR) or Viton (FPM), as well as Teflon wascher (PTFE)
- power consumption:** 36 W
- response times:** with 100% change of current, nominal pressure and approx. 80% of the flow
open: 50 ms
close: 50 ms
- cavity:** C-10-2 see datasheet no. [IK-100-109-00](#)
- housing:** 2LH-10.-B.. see datasheet no. [IH-100-000-00](#)
- seal kit:** SP-CDS-10N-21 (NBR), SP-CDS-10V-21 (FPM)