

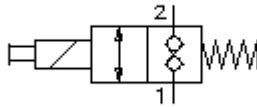
**2 way, 2 pos. sol. valve, poppet  
(normally closed)  
EMDV-10.-C3-0-.....**



**Symbol:**

**Nom. pressure:**  
350 bar

**Nominal flow:**  
22 l/min.



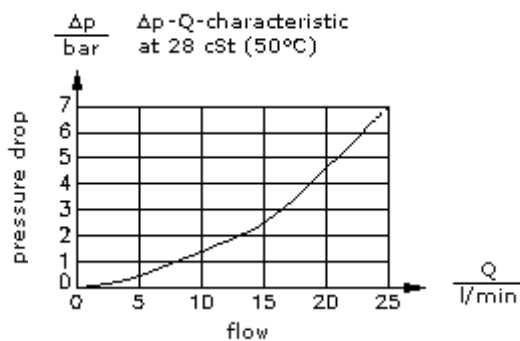
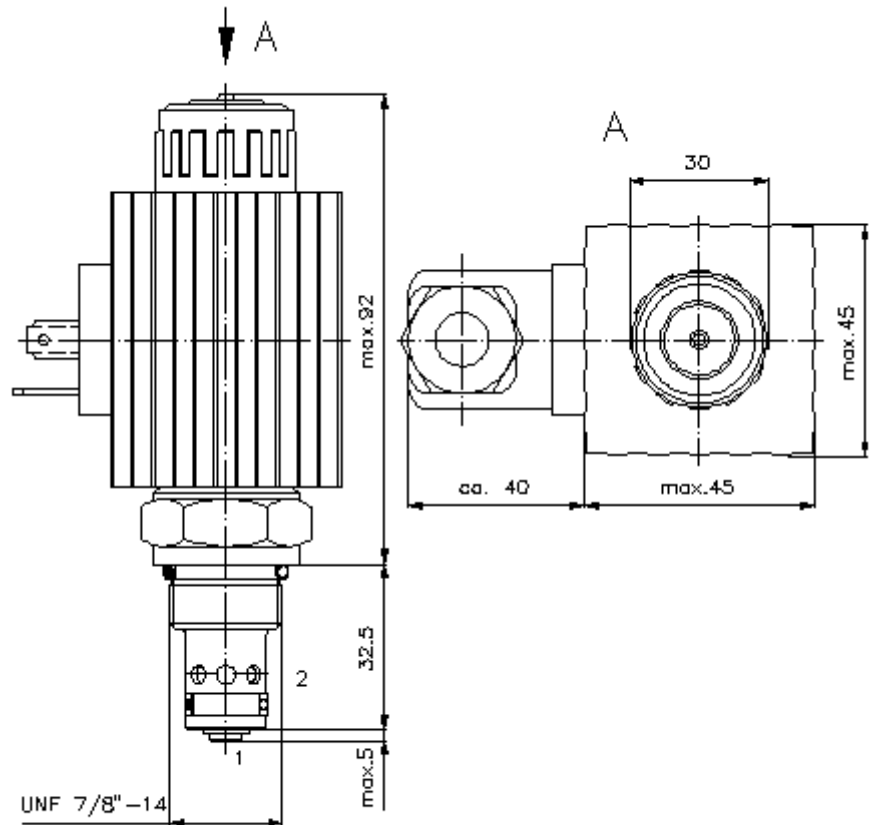
IMAV-Hydraulik GmbH  
Breite Strasse 10  
D-40670 Meerbusch (Osterath)  
Phone +49 (0)2159 - 9188.0  
Fax +49 (0)2159 - 4242  
E-mail: [info@imav.com](mailto:info@imav.com)  
Internet: <http://www.imav.com>

**CS-310-101-00**  
(Subject to change!)

HEX 27mm  
(torque  
cartridge:  
48 - 54 Nm)

cavity:  
C-10-2  
see  
data-sheet no.:  
[IK-100-109-00](#)

Attention:  
Please see note at  
data-sheet no.:  
[IK-200-109-00](#) !



**2 way, 2 pos. sol. valve, poppet  
(normally closed)  
EMDV-10.-C3-0-.....**



IMAV-Hydraulik GmbH  
Breite Strasse 10  
D-40670 Meerbusch (Osterath)  
Phone +49 (0)2159 - 9188.0  
Fax +49 (0)2159 - 4242  
E-mail: [info@imav.com](mailto:info@imav.com)  
Internet: <http://www.imav.com>

**CS-310-101-00**  
(Subject to change!)

**Ordering example:**

EMDV - 10N - C3 - 0 - 024D G  
| | | | | |  
**A B C D E F**

**Model code:**

- |  |  |
|--|--|
| <p><b>A design</b><br/>solenoid valve<br/>poppet type valve<br/>direct acting<br/>with manual override</p> <p><b>B size and sealing</b><br/>10N = Buna (NBR)<br/>10V = Viton (FPM)</p> <p><b>C symbol function mode</b><br/>C3 = normally closed</p> <p><b>D construction</b><br/>0 = screw-in valve</p> | <p><b>E voltage</b><br/>DC current:<br/>012D = 12V DC<br/>024D = 24V DC<br/>AC current:<br/>120A = 120V AC<br/>240A = 240V AC<br/>other voltage on request</p> <p><b>F power supply</b><br/>G = DIN 43650 connector, other<br/>connectors see data sheet no.: CS-010-<br/>000-00</p> |
|--|--|

**Technical Data:**

- |                           |  |
|---------------------------|--|
| <b>nominal pressure:</b>  | 350 bar  |
| <b>nominal flow:</b>      | 22 l/min   |
| <b>weight:</b>            | 0.86 kg  |
| <b>temperature range:</b> | -40°C to 120°C   |
| <b>fluids:</b>            | hydraulic oil as per DIN 51524 T1 (ISO TC 131)   |
| <b>max. leakage:</b>      | 5 drops/min at 22 cSt (50°C) and 350 bar   |
| <b>seals:</b>             | optional Buna (NBR) or Viton (FPM), as well as Teflon wascher (PTFE)                                     |
| <b>power consumption:</b> | 36 W   |
| <b>response times:</b>    | with 100% change of current, nominal pressure and approx. 80% of the flow<br>open: 50 ms<br>close: 50 ms |
| <b>cavity:</b>            | C-10-2 see datasheet no. <u>IK-100-109-00</u>  |
| <b>housing:</b>           | 2LH-10.-B.. see datasheet no. <u>IH-100-000-00</u>   |
| <b>option:</b>            | adjustable manual override see datasheet no. CS-020-000-00   |
| <b>seal kit:</b>          | SP-CDS-10N-22 (NBR), SP-CDS-10V-22 (FPM)   |