

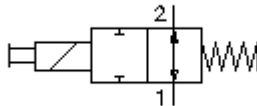
**2 way, 2 pos. solenoid valve, spool
-valve (normally open)
EMDV-12.-01-0-.....**



Symbol:

Nom. pressure:
350 bar

Nominal flow:
68 l/min.

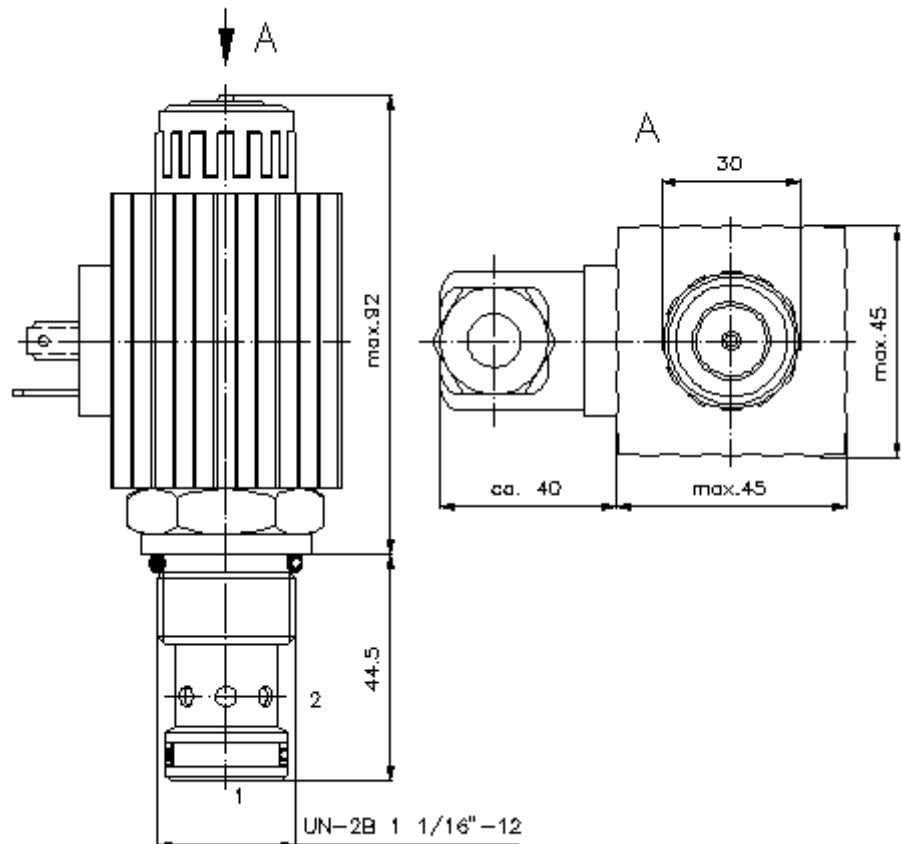


IMAV-Hydraulik GmbH
Breite Strasse 10
D-40670 Meerbusch (Osterath)
Phone +49 (0)2159 - 9188.0
Fax +49 (0)2159 - 4242
E-mail: info@imav.com
Internet: <http://www.imav.com>

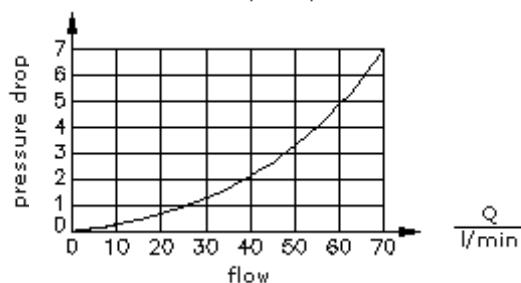
CS-410-121-00
(Subject to change!)

HEX 1 5/16"
(torque
cartridge:
95 - 100 Nm)

cavity:
C-12-2
see
data-sheet no.:
[IK-100-129-00](#)



$\frac{\Delta p}{\text{bar}}$ Δp -Q-characteristic
at 28 cSt (50°C)



**2 way, 2 pos. solenoid valve, spool
-valve (normaly open)
EMDV-12.-01-0-.....**



IMAV-Hydraulik GmbH
Breite Strasse 10
D-40670 Meerbusch (Osterath)
Phone +49 (0)2159 - 9188.0
Fax +49 (0)2159 - 4242
E-mail: info@imav.com
Internet: <http://www.imav.com>

CS-410-121-00
(Subject to change!)

Ordering example:

EMDV - 12N - 01 - 0 - 024D G
| | | | | |
A **B** **C** **D** **E** **F**

Model code:

- | | |
|---|--|
| <p>A design
solenoid valve
spool type valve
direct acting
with manual override</p> <p>B size and sealing
12N = Buna (NBR)
12V = Viton (FPM)</p> <p>C symbol function mode
01 = normally open</p> <p>D construction
0 = screw-in valve</p> | <p>E voltage
DC current:
012D = 12V DC
024D = 24V DC
AC current:
120A = 120V AC
240A = 240V AC
other voltage on request</p> <p>F power supply
G = DIN 43650 connector, other
connectors see data sheet no.: CS-010-
000-00</p> |
|---|--|

Technical Data:

- | | |
|---------------------------|--|
| nominal pressure: | 350 bar |
| nominal flow: | 68 l/min |
| weight: | 0.9 kg |
| temperature range: | -40°C to 120°C |
| fluids: | hydraulic oil as per DIN 51524 T1 (ISO TC 131) |
| max. leakage: | 85 ccm/min at 22 cSt (50°C) and 350 bar |
| seals: | optional Buna (NBR) or Viton (FPM), as well as Teflon wascher (PTFE) |
| power consumption: | 36 W |
| response times: | with 100% change of current, nominal pressure and approx. 80% of the flow
open: 50 ms
close: 50 ms |
| cavity: | C-12-2 see datasheet no. <u>IK-100-129-00</u> |
| housing: | 2LH-12.-B.. see datasheet no. <u>IH-100-000-00</u> |
| option: | adjustable manual override see datasheet no. CS-020-000-00 |
| seal kit: | SP-CDS-12N-22 (NBR), SP-CDS-12V-22 (FPM) |