

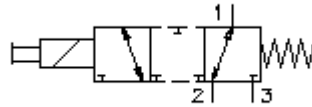
# 3 way, 2 pos.sol. valve, poppet valve

EMDV-12.-3B-0-.....



**Symbol:**

(closed center position)



**Nom. pressure:**  
350 bar

**Nominal flow:**  
60 l/min.



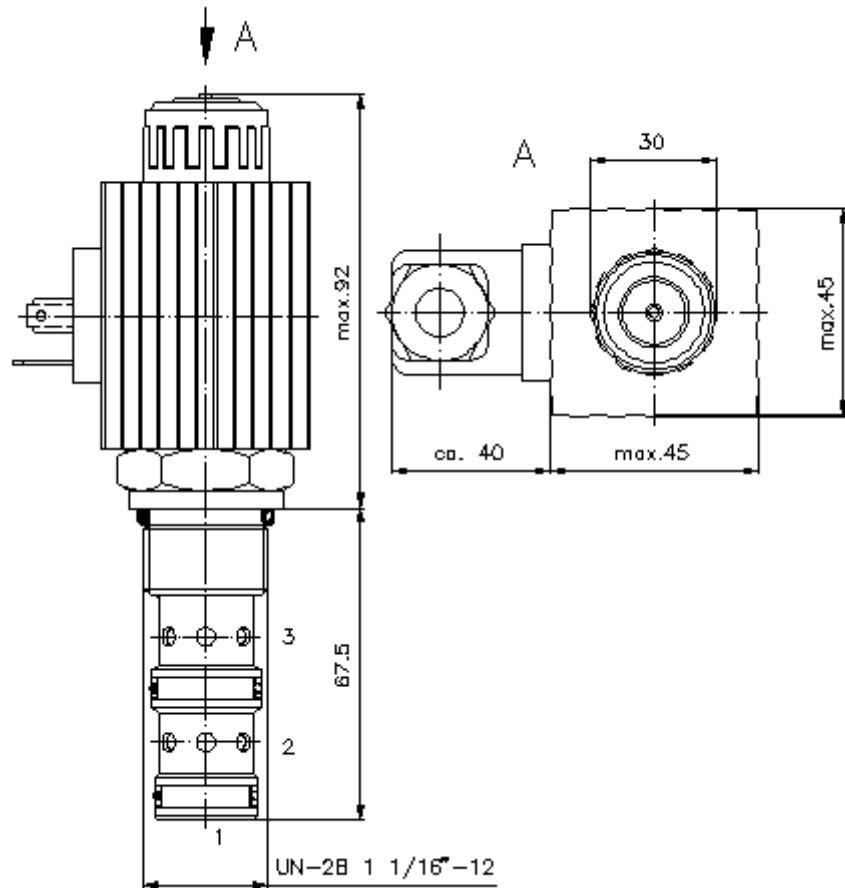
IMAV-Hydraulik GmbH  
Breite Strasse 10  
D-40670 Meerbusch (Osterath)  
Phone +49 (0)2159 - 9188.0  
Fax +49 (0)2159 - 4242  
E-mail: [info@imav.com](mailto:info@imav.com)  
Internet: <http://www.imav.com>

**CS-620-121-00**

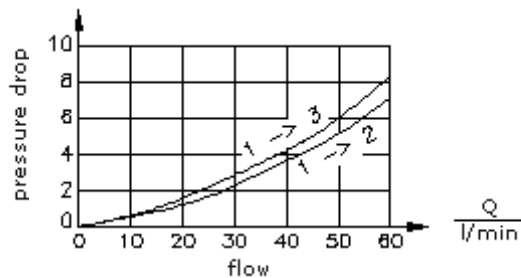
(Subject to change!)

HEX 1 5/16"  
(torque  
cartridge:  
95 - 100 Nm)

cavity:  
C-12-3  
see  
data-sheet no.:  
[IK-300-129-00](#)



$\frac{\Delta p}{\text{bar}}$   $\Delta p$ -Q-characteristic  
at 28 cSt (50°C)



## 3 way, 2 pos.sol. valve, poppet valve

EMDV-12.-3B-0-.....

### Ordering example:

EMDV - 12N - 3B - 0 - 024D G

A	B	C	D	E	F



IMAV-Hydraulik GmbH  
Breite Strasse 10  
D-40670 Meerbusch (Osterath)  
Phone +49 (0)2159 - 9188.0  
Fax +49 (0)2159 - 4242  
E-mail: [info@imav.com](mailto:info@imav.com)  
Internet: <http://www.imav.com>

**CS-620-121-00**

(Subject to change!)

### Model code:

- |  |   |
|--|---|
| <p><b>A design</b><br/>solenoid valve<br/>spool type valve<br/>direct acting<br/>with manual override</p> <p><b>B size and sealing</b><br/>12N = Buna (NBR)<br/>12V = Viton (FPM)</p> <p><b>C symbol function mode</b><br/>3 = 3-way 2 position valve<br/>B = closed center position</p> <p><b>D construction</b><br/>0 = screw-in valve</p> | <p><b>E voltage</b><br/>DC current:<br/>012D = 12V DC<br/>024D = 24V DC<br/>AC current:<br/>120A = 120V AC<br/>240A = 240V AC<br/>other voltage on request</p> <p><b>F power supply</b><br/>G = DIN 43650 connector, other<br/>connectors see data sheet no.: CS-010-000-00</p> |
|--|---|

### Technical Data:

<b>nominal pressure:</b>	350 bar
<b>nominal flow:</b>	60 l/min
<b>weight:</b>	0.94 kg
<b>temperature range:</b>	-40°C to 120°C
<b>fluids:</b>	hydraulic oil as per DIN 51524 T1 (ISO TC 131)
<b>max. leakage:</b>	85 ccm/min at 22 cSt (50°C) and 350 bar
<b>seals:</b>	optional Buna (NBR) or Viton (FPM), as well as Teflon wascher (PTFE)
<b>power consumption:</b>	36 W
<b>response times:</b>	with 100% change of current, nominal pressure and approx. 80% of the flow open: 50 ms close: 50 ms
<b>cavity:</b>	C-12-3 see datasheet no. <u>IK-300-129-00</u>
<b>housing:</b>	3LH-12.-B.. see datasheet no. <u>IH-300-000-00</u>
<b>option:</b>	adjustable manual override see datasheet no. CS-020-000-00
<b>seal kit:</b>	SP-CDS-12N-34 (NBR), SP-CDS-12V-34 (FPM)