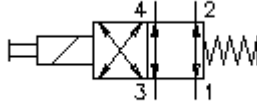


4 way, 2 pos.sol. valve, poppet valve

EMDV-10.-4A-0-.....



Symbol:



Nom. pressure:
350 bar

Nominal flow:
30 l/min.



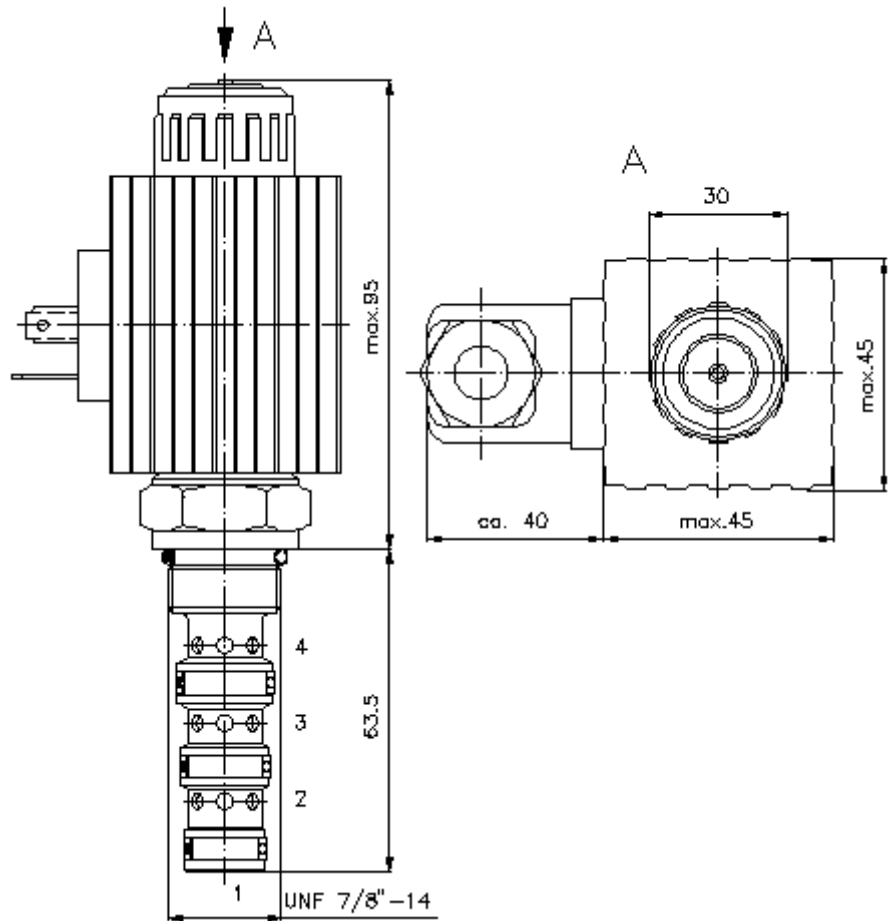
IMAV-Hydraulik GmbH
Breite Strasse 10
D-40670 Meerbusch (Osterath)
Phone +49 (0)2159 - 9188.0
Fax +49 (0)2159 - 4242
E-mail: info@imav.com
Internet: <http://www.imav.com>

CS-710-101-00

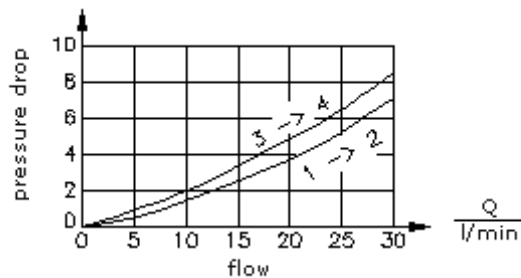
(Subject to change!)

HEX 27mm
(torque
cartridge:
48 - 54 Nm)

cavity: C-10-4
see
data-sheet no.:
IK-400-109-00



$\frac{\Delta p}{\text{bar}}$ Δp -Q-characteristic
at 28 cSt (50°C)



4 way, 2 pos.sol. valve, poppet valve

EMDV-10.-4A-0-.....

Ordering example:

EMDV - 10N - 4A - 0 - 024D G

| | | | | | |
|---|---|---|---|---|---|
| | | | | | |
| A | B | C | D | E | F |



IMAV-Hydraulik GmbH
Breite Strasse 10
D-40670 Meerbusch (Osterath)
Phone +49 (0)2159 - 9188.0
Fax +49 (0)2159 - 4242
E-mail: info@imav.com
Internet: <http://www.imav.com>

CS-710-101-00

(Subject to change!)

Model code:

- | | |
|---|---|
| <p>A design solenoid valve spool type valve direct acting with manual override</p> <p>B size and sealing 10N = Buna (NBR) 10V = Viton (FPM)</p> <p>C symbol function mode 4 = 4-way 2 position valve A = free flow from 1 to 2 and from 3 to 4</p> <p>D construction 0 = screw-in valve</p> | <p>E voltage DC current: 012D = 12V DC 024D = 24V DC AC current: 120A = 120V AC 240A = 240V AC other voltage on request</p> <p>F power supply G = DIN 43650 connector, other connectors see data sheet no.: CS-010-000-00</p> |
|---|---|

Technical Data:

| | |
|---------------------------|--|
| nominal pressure: | 350 bar |
| nominal flow: | 30 l/min |
| weight: | 0.91 kg |
| temperature range: | -40°C to 120°C |
| fluids: | hydraulic oil as per DIN 51524 T1 (ISO TC 131) |
| max. leakage: | 85 ccm/min at 22 cSt (50°C) and 350 bar |
| seals: | optional Buna (NBR) or Viton (FPM), as well as Teflon wascher (PTFE) |
| power consumption: | 36 W |
| response times: | with 100% change of current, nominal pressure and approx. 80% of the flow open: 50 ms close: 50 ms |
| cavity: | C-10-4 see datasheet no. IK-400-109-00 Review note! |
| housing: | 4LH-10.-B.. see datasheet no. IH-400-000-00 |
| option: | adjustable manual override see datasheet no. CS-020-000-00 |
| seal kit: | SP-CDS-10N-46 (NBR), SP-CDS-10V-46 (FPM) |