

4 way, 2 pos.sol. valve, poppet valve

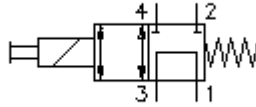
EMDV-10.-4D-0-.....



Symbol:

Nom. pressure:
350 bar

Nominal flow:
30 l/min.



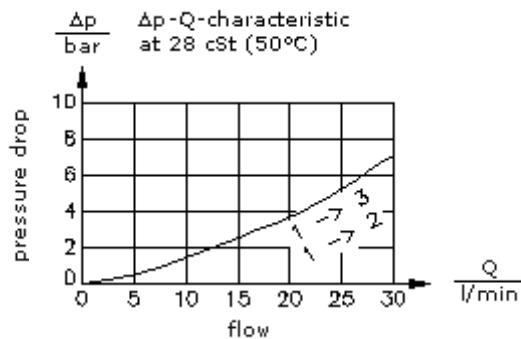
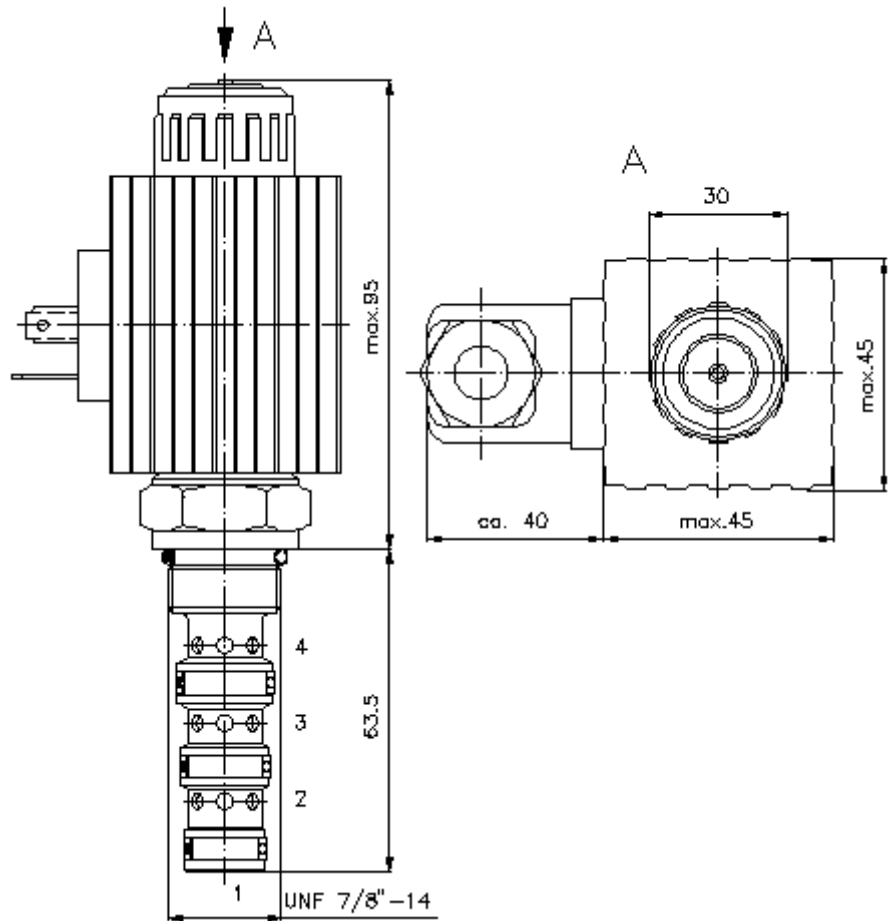
IMAV-Hydraulik GmbH
Breite Strasse 10
D-40670 Meerbusch (Osterath)
Phone +49 (0)2159 - 9188.0
Fax +49 (0)2159 - 4242
E-mail: info@imav.com
Internet: <http://www.imav.com>

CS-740-101-00

(Subject to change!)

HEX 27mm
(torque
cartridge:
48 - 54 Nm)

cavity: C-10-4
see
data-sheet no.:
IK-400-109-00



4 way, 2 pos.sol. valve, poppet valve

EMDV-10.-4D-0-.....

Ordering example:

EMDV - 10N - 4D - 0 - 024D G

A	B	C	D	E	F



IMAV-Hydraulik GmbH
Breite Strasse 10
D-40670 Meerbusch (Osterath)
Phone +49 (0)2159 - 9188.0
Fax +49 (0)2159 - 4242
E-mail: info@imav.com
Internet: <http://www.imav.com>

CS-740-101-00

(Subject to change!)

Model code:

- | | |
|---|---|
| <p>A design
solenoid valve
spool type valve
direct acting
with manual override</p> <p>B size and sealing
10N = Buna (NBR)
10V = Viton (FPM)</p> <p>C symbol function mode
4 = 4-way 2 position valve
D = free flow from 1 to 3</p> <p>D construction
0 = screw-in valve</p> | <p>E voltage
DC current:
012D = 12V DC
024D = 24V DC
AC current:
120A = 120V AC
240A = 240V AC
other voltage on request</p> <p>F power supply
G = DIN 43650 connector, other
connectors see data sheet no.: CS-010-000-00</p> |
|---|---|

Technical Data:

nominal pressure:	350 bar
nominal flow:	30 l/min
weight:	0.91 kg
temperature range:	-40°C to 120°C
fluids:	hydraulic oil as per DIN 51524 T1 (ISO TC 131)
max. leakage:	85 ccm/min at 22 cSt (50°C) and 350 bar
seals:	optional Buna (NBR) or Viton (FPM), as well as Teflon wascher (PTFE)
power consumption:	36 W
response times:	with 100% change of current, nominal pressure and approx. 80% of the flow open: 50 ms close: 50 ms
cavity:	C-10-4 see datasheet no. IK-400-109-00 Review note!
housing:	4LH-10.-B.. see datasheet no. IH-400-000-00
option:	adjustable manual override see datasheet no. CS-020-000-00
seal kit:	SP-CDS-10N-46 (NBR), SP-CDS-10V-46 (FPM)