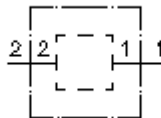


## 2 way valve body (with BSPP thread) 2LH-...-B..

 **Symbol:**

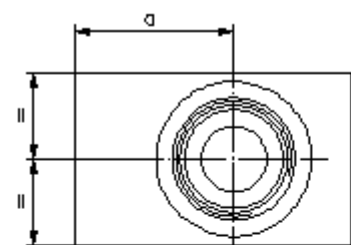
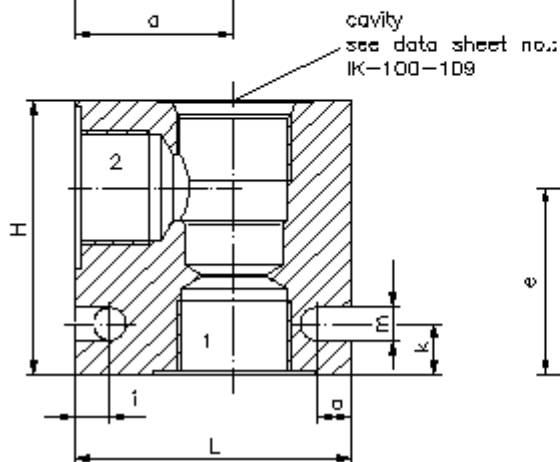
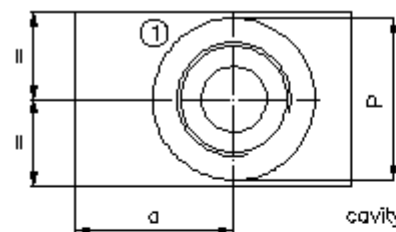
**Nom. pressure:**  
350 bar



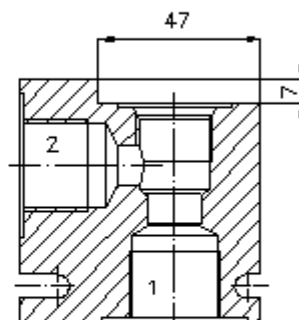
IMAV-Hydraulik GmbH  
Breite Strasse 10  
D-40670 Meerbusch (Osterath)  
Phone +49 (0)2159 - 9188.0  
Fax +49 (0)2159 - 4242  
E-mail: [info@imav.com](mailto:info@imav.com)  
Internet: <http://www.imav.com>

**IH-100-000-00**

(Subject to change!)



only 2LH-10.-B08



spotface port size	
size	P
B02	ø25
B03	ø28
B04	ø34
B06	ø42
B08	ø47
B10	ø58
B12	ø65

type	L	B	H	a	e	i	k	m	o	weight (kg)	
										A	S
2LH-08.-B..	60	35	60	36	45	11	10	7	4	0.33	0.80
2LH-10.-B..	60	40	60	36	42	11	10	7	4	0.33	0.80
2LH-10.-B08	70	50	70	45	45	11	10	7	4	0.55	1.55
2LH-12.-B..	80	60	80	48	55	10	15	9	10	1.00	2.70
2LH-16.-B..	80	60	80	48	54.5	10	15	9	10	1.00	2.70
2LH-20.-B..	100	75	100	60	68	14	25	11	8	1.65	4.30

**2 way valve body  
(with BSPP thread)  
2LH-...-B..**



IMAV-Hydraulik GmbH  
Breite Strasse 10  
D-40670 Meerbusch (Osterath)  
Phone +49 (0)2159 - 9188.0  
Fax +49 (0)2159 - 4242  
E-mail: [info@imav.com](mailto:info@imav.com)  
Internet: <http://www.imav.com>

**IH-100-000-00**

(Subject to change!)

**Ordering example:**

2LH - 10 - A - B04  
|        |        |        |  
**A**    **B**    **C**    **D**

**Model code:**

- A design**  
2-way valve body
- B size**  
08  
10  
12  
16  
20
- C material**  
A = AlCuMgPb  
S = GGG-40 resp. 9SMn28K

- D port size 1 and 2**  
size 08  
B02 = BSPP 1/4"  
B03 = BSPP 3/8"  
size 10  
B02 = BSPP 1/4"  
B03 = BSPP 3/8"  
B04 = BSPP 1/2"  
B06 = BSPP 3/4"  
size 12  
B04 = BSPP 1/2"  
B06 = BSPP 3/4"  
B08 = BSPP 1"  
size 16  
B06 = BSPP 3/4"  
B08 = BSPP 1"  
size 20  
B08 = BSPP 1"  
B10 = BSPP 1 1/4"  
B12 = BSPP 1 1/2"

**Technical Data:**

- note:** dimensions and weight see tabel on first page
- nominal pressure:** 250 bar (A)  
350 bar (S)
- weight:**