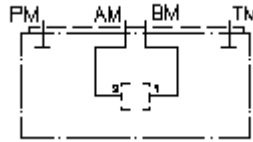


**2 way, 2 pos. valve body CETOP 3
(mounting plate)
2MGA-06.-A2/B1**



Symbol:

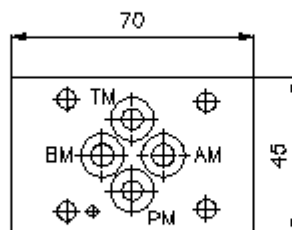
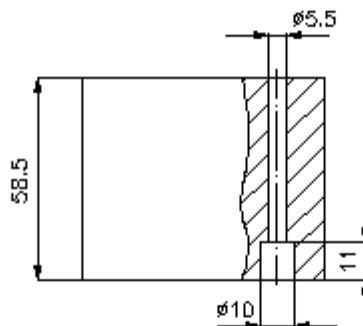
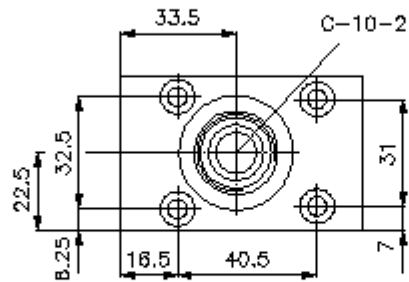
Nom. pressure:
350 bar



IMAV-Hydraulik GmbH
Breite Strasse 10
D-40670 Meerbusch (Osterath)
Phone +49 (0)2159 - 9188.0
Fax +49 (0)2159 - 4242
E-mail: info@imav.com
Internet: <http://www.imav.com>

IH-170-068-00

(Subject to change!)



**2 way, 2 pos. valve body CETOP 3
(mounting plate)
2MGA-06.-A2/B1**

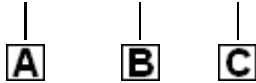


IMAV-Hydraulik GmbH
Breite Strasse 10
D-40670 Meerbusch (Osterath)
Phone +49 (0)2159 - 9188.0
Fax +49 (0)2159 - 4242
E-mail: info@imav.com
Internet: <http://www.imav.com>

IH-170-068-00
(Subject to change!)

Ordering example:

2MGA - 06A - A2/B1



Model code:

- A design**
2-way valve body
with mounting interface DIN 24340 form A
- B size and material**
06A = aluminum (F37)
06S = steel (9SMnPb28K resp. GGG-40)

- C function mode**
A2/B1 = for one screw-in valve between A
and B

Technical Data:

- note:** The multipurpose valve housing 2MGA-06.-.. is equipped with on cavity C-10-2 which is for a 2-way screw-in valve. Concerning the flow direction is is important to review the ports "1" and "2" at the symbol.
- nominal pressure:** 250 bar (A)
350 bar (S)
- weight:** 0.5 / 1.3 kg (A/S)
- included:** 4 pcs. O-Ring 9.25 x 1.78