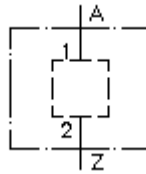


## 2-way screw valve body

2HVG-10S-...

 **Symbol:**

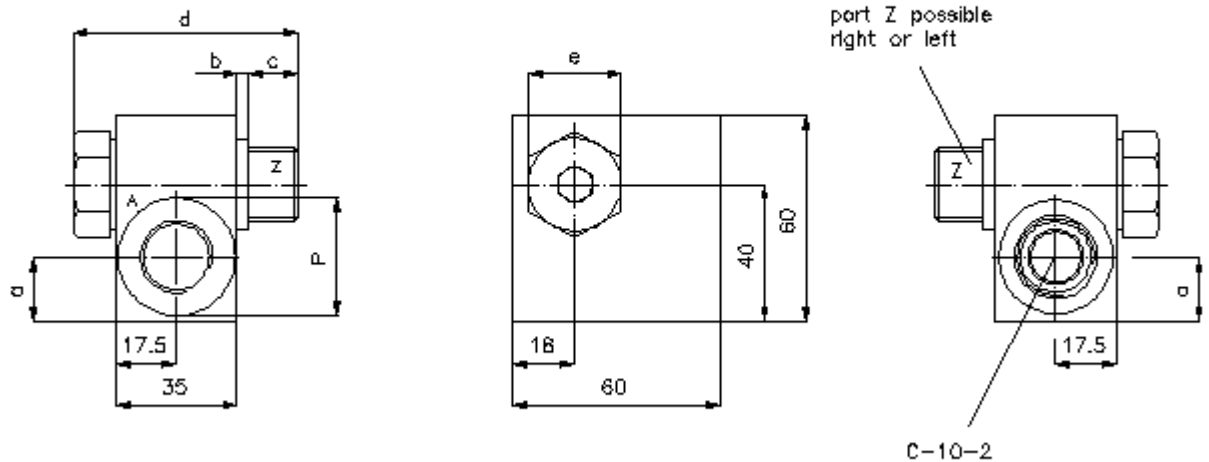
**Nom. pressure:**  
350 bar



IMAV-Hydraulik GmbH  
Breite Strasse 10  
D-40670 Meerbusch (Osterath)  
Phone +49 (0)2159 - 9188.0  
Fax +49 (0)2159 - 4242  
E-mail: [info@imav.com](mailto:info@imav.com)  
Internet: <http://www.imav.com>

**IH-180-101-00**

(Subject to change!)



type	A	Z	P	a	b	c	d	e
2HVG-10S-B03	G 3/8"	G 3/8"	∅28	21.5	2	12	80	SW 24
2HVG-10S-B04	G 1/2"	G 1/2"	∅34	19	3.5	14	85	SW 27
2HVG-10S-M16 x 1.5	M16 x 1.5	M16 x 1.5	∅28	22	2	12	80	SW 24
2HVG-10S-M18 x 1.5	M18 x 1.5	M18 x 1.5	∅30	21	2	12	80	SW 27
2HVG-10S-M22 x 1.5	M22 x 1.5	M22 x 1.5	∅34	19	3.5	14	85	SW 27

## 2-way screw valve body

2HVG-10S-...

### Ordering example:

2HVG - 10 - S - B03  
|        |        |        |  
**A**    **B**    **C**    **D**



IMAV-Hydraulik GmbH  
Breite Strasse 10  
D-40670 Meerbusch (Osterath)  
Phone +49 (0)2159 - 9188.0  
Fax +49 (0)2159 - 4242  
E-mail: [info@imav.com](mailto:info@imav.com)  
Internet: <http://www.imav.com>

**IH-180-101-00**

(Subject to change!)

### Model code:

- A** **design**  
screw-type valve body  
for 2 way valve
- B** **size**  
10
- C** **material**  
S = GGG-40 resp. 9SMn28K

- D** **thread size**  
port A and screw  
B03 = BSPP 3/8"  
B04 = BSPP 1/2"  
M16 = M 16 X 1.5  
M18 = M 18 X 1.5  
M22 = M 22 X 1.5

### Technical Data:

- note:** The screw valve housings can be equipped with any 2-way screw-in valve which is designed for the cavity C-10-2. This screw can be attached from both sides ("right as well as left").
- nominal pressure:** 350 bar
- weight:** 0.9 kg