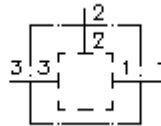


3 way short valve body

3SLH-...-B..

 **Symbol:**

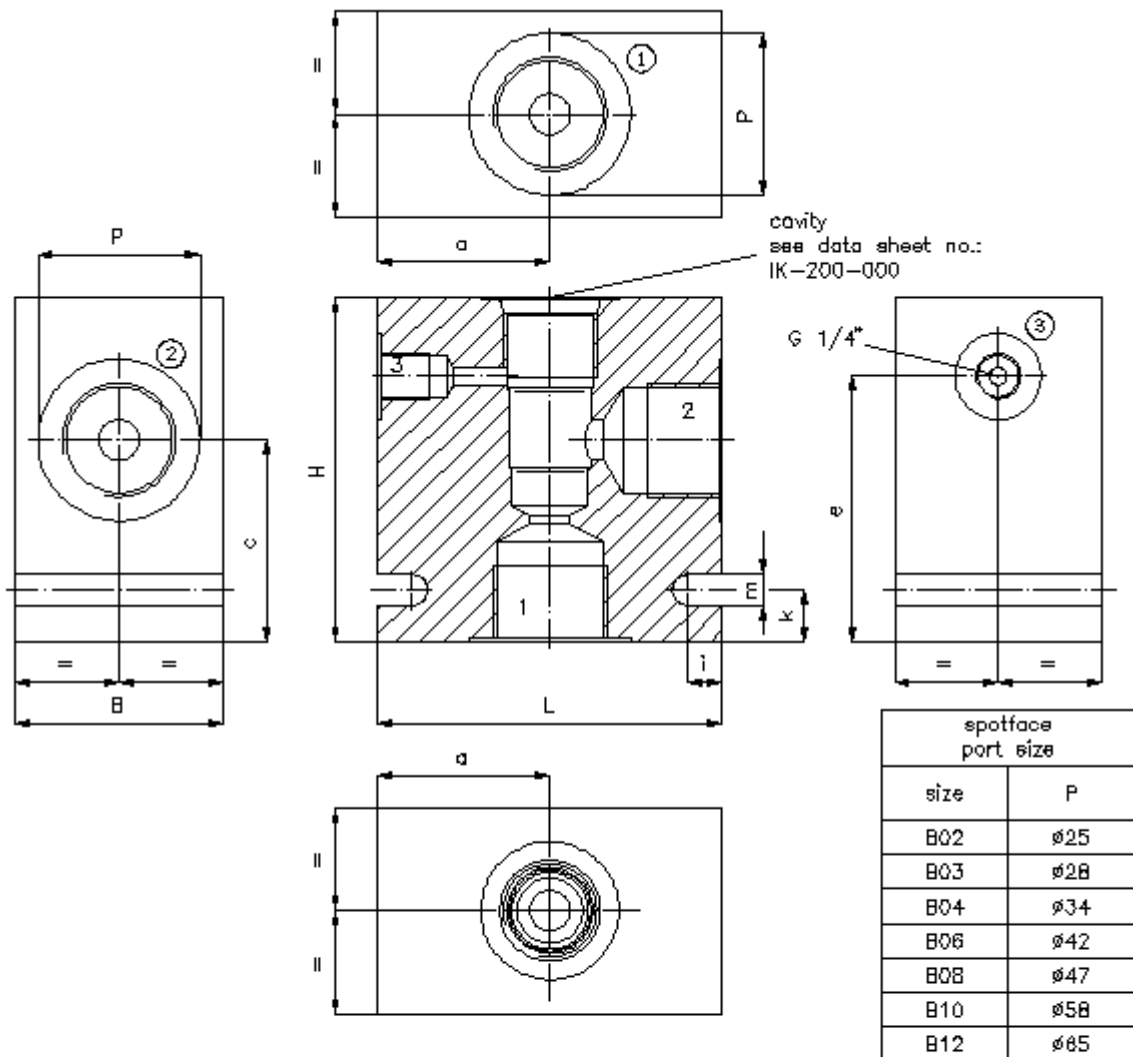
Nom. pressure:
350 bar



IMAV-Hydraulik GmbH
Breite Strasse 10
D-40670 Meerbusch (Osterath)
Phone +49 (0)2159 - 9188.0
Fax +49 (0)2159 - 4242
E-mail: info@imav.com
Internet: <http://www.imav.com>

IH-200-000-00

(Subject to change!)



type	L	B	H	a	c	e	i	k	m	weight (kg)	
										A	S
3SLH-10.-B..	70	40	70	35	38	54.5	10	10	7	0.50	1.30
3SLH-10.-B06	80	50	80	40	48	64.5	10	10	7	0.80	2.10
3SLH-12.-B..	100	60	100	50	58	79	10	15	9	1.30	3.10
3SLH-16.-B..	100	80	100	45	61	82	10	15	9	1.30	3.10
3SLH-20.-B..	120	80	120	50	69	99	10	25	11	2.80	6.70

3 way short valve body

3SLH-...-B..

Ordering example:

3SLH - 10 - A - B04

↓ ↓ ↓ ↓

A **B** **C** **D**



IMAV-Hydraulik GmbH
Breite Strasse 10
D-40670 Meerbusch (Osterath)
Phone +49 (0)2159 - 9188.0
Fax +49 (0)2159 - 4242
E-mail: info@imav.com
Internet: <http://www.imav.com>

IH-200-000-00

(Subject to change!)

Model code:

- A** **design**
3S-way valve body
- B** **size**
10
12
16
20
- C** **material**
A = AlCuMgPb
S = GGG-40 resp. 9SMn28K

- D** **port size 1 and 2**
size 10
B02 = BSPP 1/4"
B03 = BSPP 3/8"
B04 = BSPP 1/2"
B06 = BSPP 3/4"
size 12
B04 = BSPP 1/2"
B06 = BSPP 3/4"
B08 = BSPP 1"
size 16
B06 = BSPP 3/4"
B08 = BSPP 1"
size 20
B08 = BSPP 1"
B10 = BSPP 1 1/4"
B12 = BSPP 1 1/2"

Technical Data:

- note:** dimensions and weight see tabel on first page
- nominal pressure:** 250 bar (A)
350 bar (S)
- weight:**