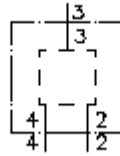


**flow div./comb.valve body, size 16  
(M 33 and M 27)  
4LHS-16A-M33/M27**



**Symbol:**

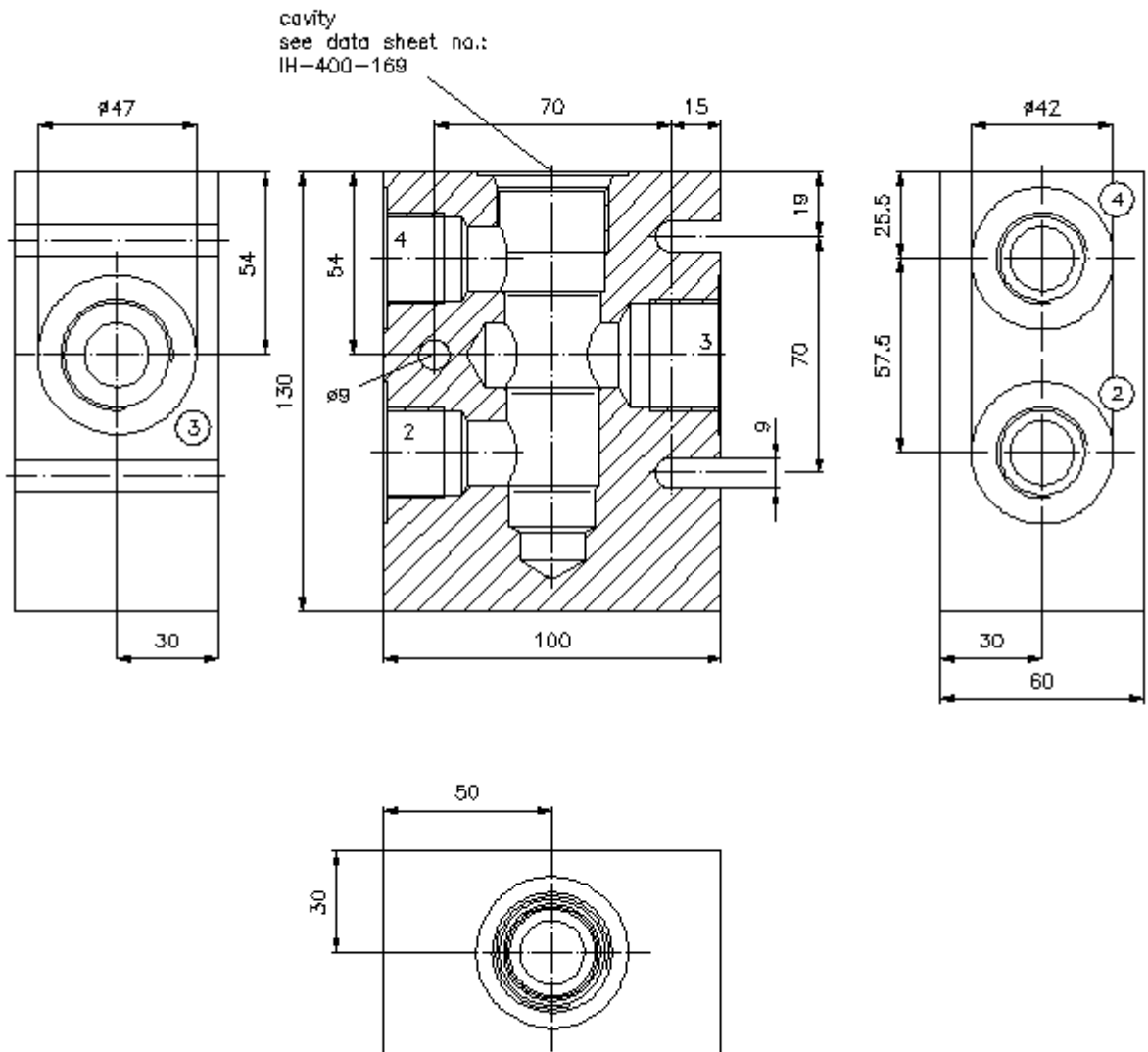
**Nom. pressure:**  
250 bar



IMAV-Hydraulik GmbH  
Breite Strasse 10  
D-40670 Meerbusch (Osterath)  
Phone +49 (0)2159 - 9188.0  
Fax +49 (0)2159 - 4242  
E-mail: [info@imav.com](mailto:info@imav.com)  
Internet: <http://www.imav.com>

**IH-505-165-00**

(Subject to change!)



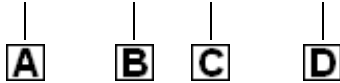
**flow div./comb.valve body, size 16  
(M 33 and M 27)  
4LHS-16A-M33/M27**



IMAV-Hydraulik GmbH  
Breite Strasse 10  
D-40670 Meerbusch (Osterath)  
Phone +49 (0)2159 - 9188.0  
Fax +49 (0)2159 - 4242  
E-mail: [info@imav.com](mailto:info@imav.com)  
Internet: <http://www.imav.com>

**Ordering example:**

4LHS - 16 - A - M33/M27



**IH-505-165-00**

(Subject to change!)

**Model code:**

- A** **design**  
4-way valve body  
(for flow divider/combiner)
- B** **size**  
16
- C** **material**  
A = AlCuMgPb

- D** **port size**  
port 3  
M33 X 2  
port 2 + 4  
M27 X 2

**Technical Data:**

**nominal pressure:** 250 bar

**weight:** 1.9 kg