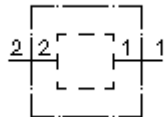


**2 way valve body
(with cavity I-08-20)
2BH-08A-B..**



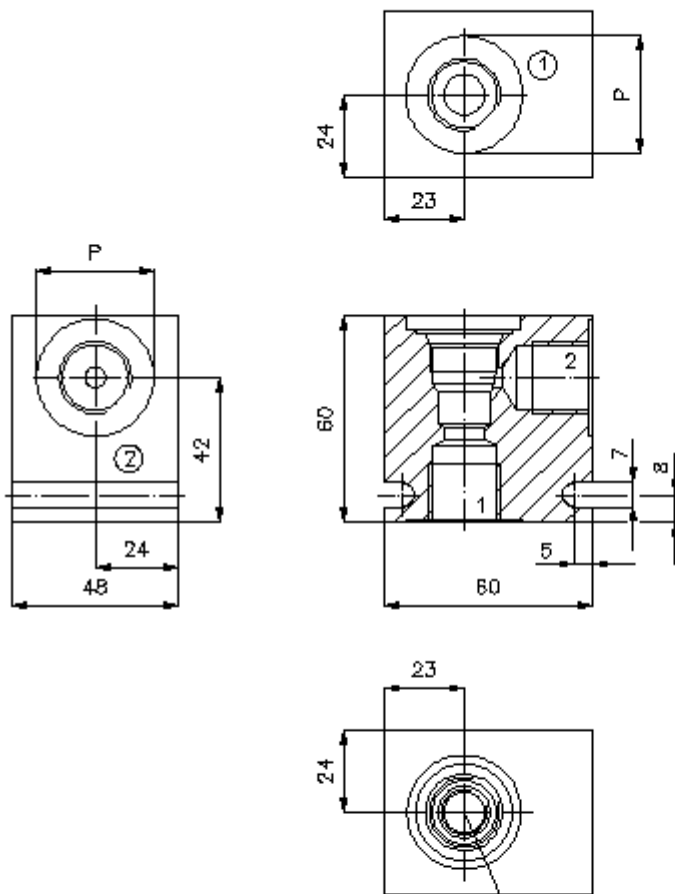
Symbol:

Nom. pressure:
250 bar



IMAV-Hydraulik GmbH
Breite Strasse 10
D-40670 Meerbusch (Osterath)
Phone +49 (0)2159 - 9188.0
Fax +49 (0)2159 - 4242
E-mail: info@imav.com
Internet: <http://www.imav.com>

IH-600-000-00
(Subject to change!)



cavity I-08-20
see data sheet no.:
IK-150-089

spotface port size	
Gewinde	P
B02	ø25
B03	ø28
B04	ø34

**2 way valve body
(with cavity I-08-20)
2BH-08A-B..**

Ordering example:

2BH - 08 - A - B04
| | | |
A **B** **C** **D**



IMAV-Hydraulik GmbH
Breite Strasse 10
D-40670 Meerbusch (Osterath)
Phone +49 (0)2159 - 9188.0
Fax +49 (0)2159 - 4242
E-mail: info@imav.com
Internet: <http://www.imav.com>

IH-600-000-00
(Subject to change!)

Model code:

A **design**
2-way valve body
with cavity I-08-20

B **size**
08

C **material**
A = AlCuMgPb

D **port size 1 and 2**
B02 = BSPP 1/4"
B03 = BSPP 3/8"
B04 = BSPP 1/2"

Technical Data:

weight: 0.3 kg