

**cavity**  
**for 4-way valve (UN 1 1/16")**  
**C-12-4**



**Symbol:**

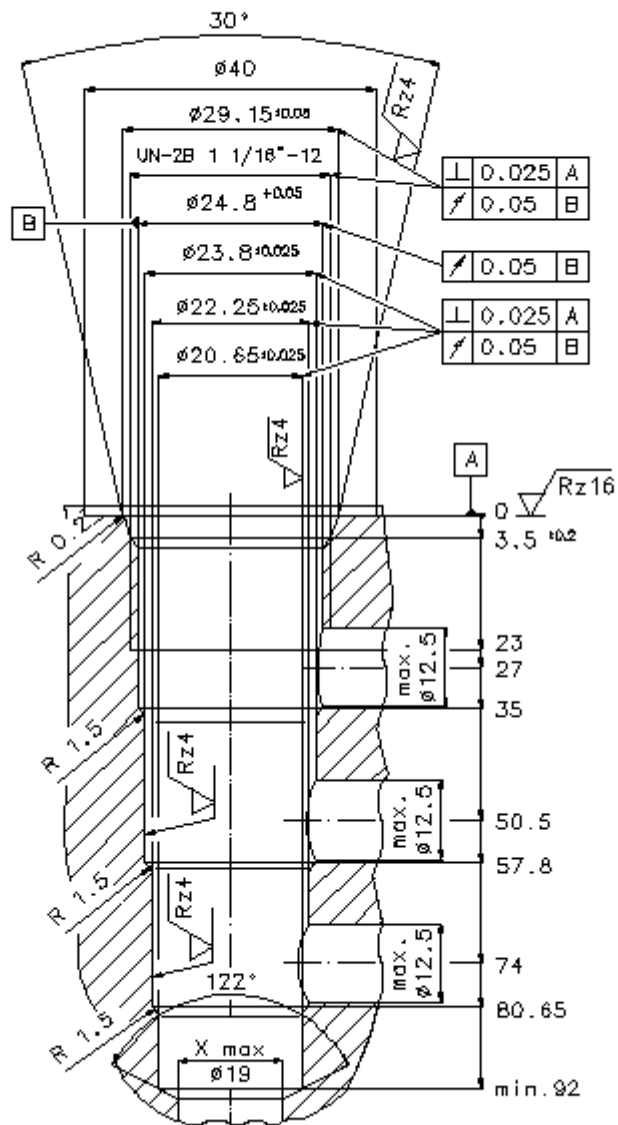
**C-12-4**



IMAV-Hydraulik GmbH  
 Breite Strasse 10  
 D-40670 Meerbusch (Osterath)  
 Phone +49 (0)2159 - 9188.0  
 Fax +49 (0)2159 - 4242  
 E-mail: [info@imav.com](mailto:info@imav.com)  
 Internet: <http://www.imav.com>

**IK-400-129-00**

(Subject to change!)



**cavity**  
**for 4-way valve (UN 1 1/16")**  
**C-12-4**



IMAV-Hydraulik GmbH  
Breite Strasse 10  
D-40670 Meerbusch (Osterath)  
Phone +49 (0)2159 - 9188.0  
Fax +49 (0)2159 - 4242  
E-mail: [info@imav.com](mailto:info@imav.com)  
Internet: <http://www.imav.com>

**IK-400-129-00**

(Subject to change!)