

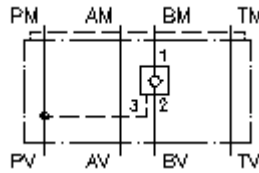
**pilot op.check valve from P CETOP 3  
(sandwich plate) in B  
REMZ-06A-B/...**



**Symbol:**

**Nom. pressure:**  
250 bar

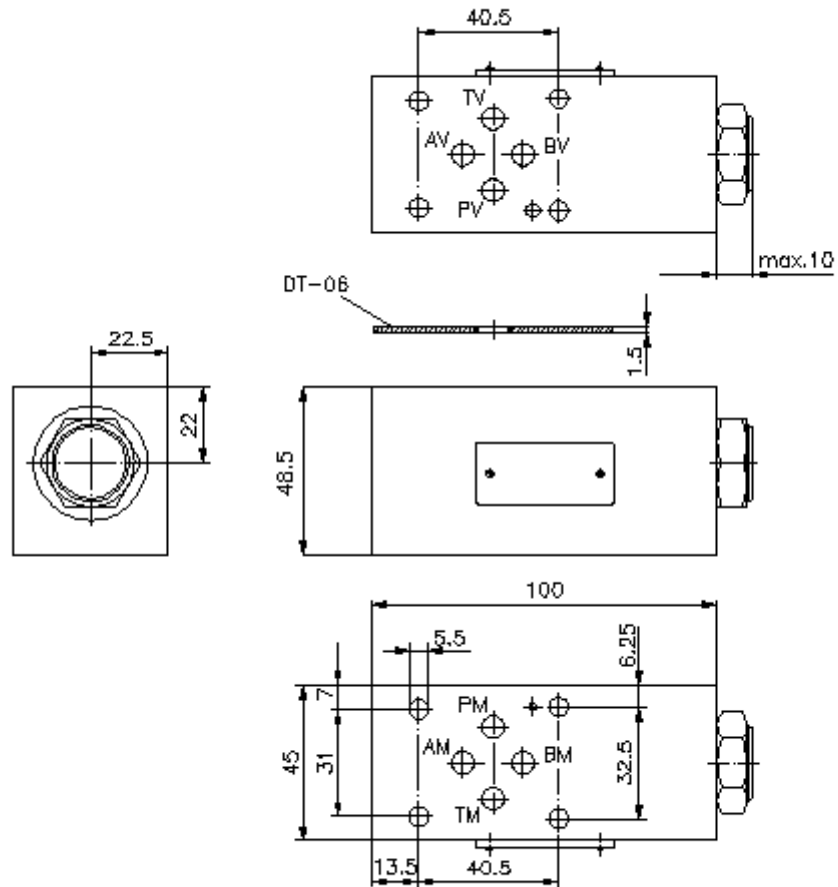
**Nominal flow:**  
60 l/min.



IMAV-Hydraulik GmbH  
Breite Strasse 10  
D-40670 Meerbusch (Osterath)  
Phone +49 (0)2159 - 9188.0  
Fax +49 (0)2159 - 4242  
E-mail: [info@imav.com](mailto:info@imav.com)  
Internet: <http://www.imav.com>

**IZ-140-201-00**

(Subject to change!)



**pilot op.check valve from P CETOP 3  
(sandwich plate) in B  
REMZ-06A-B/...**



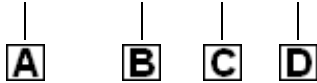
IMAV-Hydraulik GmbH  
Breite Strasse 10  
D-40670 Meerbusch (Osterath)  
Phone +49 (0)2159 - 9188.0  
Fax +49 (0)2159 - 4242  
E-mail: [info@imav.com](mailto:info@imav.com)  
Internet: <http://www.imav.com>

**IZ-140-201-00**

(Subject to change!)

**Ordering example:**

REMZ - 06A - B / 030



**Model code:**

**A design**  
pilot operated check valve  
pilot operated from P  
with mounting interface DIN 24340 form A  
sandwichplate design

**B size and material**  
06A = aluminum (F37)

**C function mode**  
B = in B acting

**D pilot operated check valve free flow  
crack pressure POC1-10.-..**  
005 = 0.3 bar  
030 = 2.1 bar  
075 = 5.2 bar  
100 = 6.9 bar

**Technical Data:**

**nominal pressure:** 250 bar  
**nominal flow:** 60 l/min  
**weight:** 0.6 kg  
**check valve:** POC1-10.- see datasheet no.: [MC-210-101-00](#)  
**free flow direction:** see symbol  
**included:** DT-06 = sealing plate with vulcanized O-ring (Viton FPM)