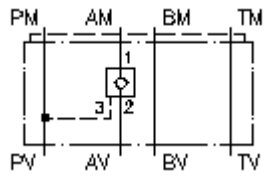


**pilot op.check valve from P CETOP 3
(sandwich plate) in A
RECZ-06A-A/..**



IMAV-Hydraulik GmbH
Breite Strasse 10
D-40670 Meerbusch (Osterath)
Phone +49 (0)2159 - 9188.0
Fax +49 (0)2159 - 4242
E-mail: info@imav.com
Internet: <http://www.imav.com>

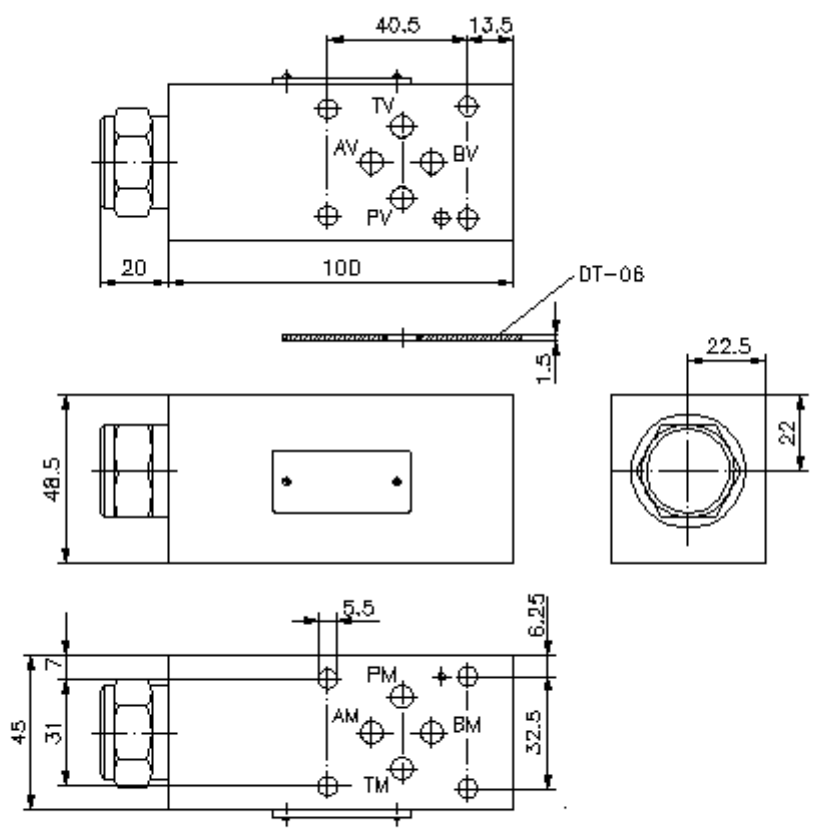
 **Symbol:**



Nom. pressure:
250 bar

Nominal flow:
60 l/min.

IZ-140-250-00
(Subject to change!)



**pilot op.check valve from P CETOP 3
(sandwich plate) in A
RECZ-06A-A/..**



IMAV-Hydraulik GmbH
Breite Strasse 10
D-40670 Meerbusch (Osterath)
Phone +49 (0)2159 - 9188.0
Fax +49 (0)2159 - 4242
E-mail: info@imav.com
Internet: <http://www.imav.com>

IZ-140-250-00

(Subject to change!)

Ordering example:

RECZ - 06A - A / 30
| | | |
A **B** **C** **D**

Model code:

- A design**
pilot operated check valve
pilot operated from P
with mounting interface DIN 24340 form A
sandwichplate design
- B size and material**
06A = aluminum (F37)

- C function mode**
A = in A acting
- D pilot operated check valve free flow
crack pressure POCI-10.-..**
10 = 0.7 bar
30 = 2.1 bar
60 = 4.1 bar

Technical Data:

nominal pressure: 250 bar
nominal flow: 60 l/min
weight: 0.6 kg
check valve: POCI-10.- see datasheet no.: [CC-210-101-00](#)
free flow direction: see symbol
included: DT-06 = sealing plate with vulcanized O-ring (Viton FPM)