

**pilot op.check valve from P CETOP 5  
(sandwich plate) in B  
RECZ-10A-B/...**

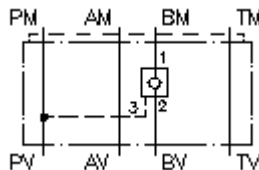


IMAV-Hydraulik GmbH  
Breite Strasse 10  
D-40670 Meerbusch (Osterath)  
Phone +49 (0)2159 - 9188.0  
Fax +49 (0)2159 - 4242  
E-mail: [info@imav.com](mailto:info@imav.com)  
Internet: <http://www.imav.com>

 **Symbol:**

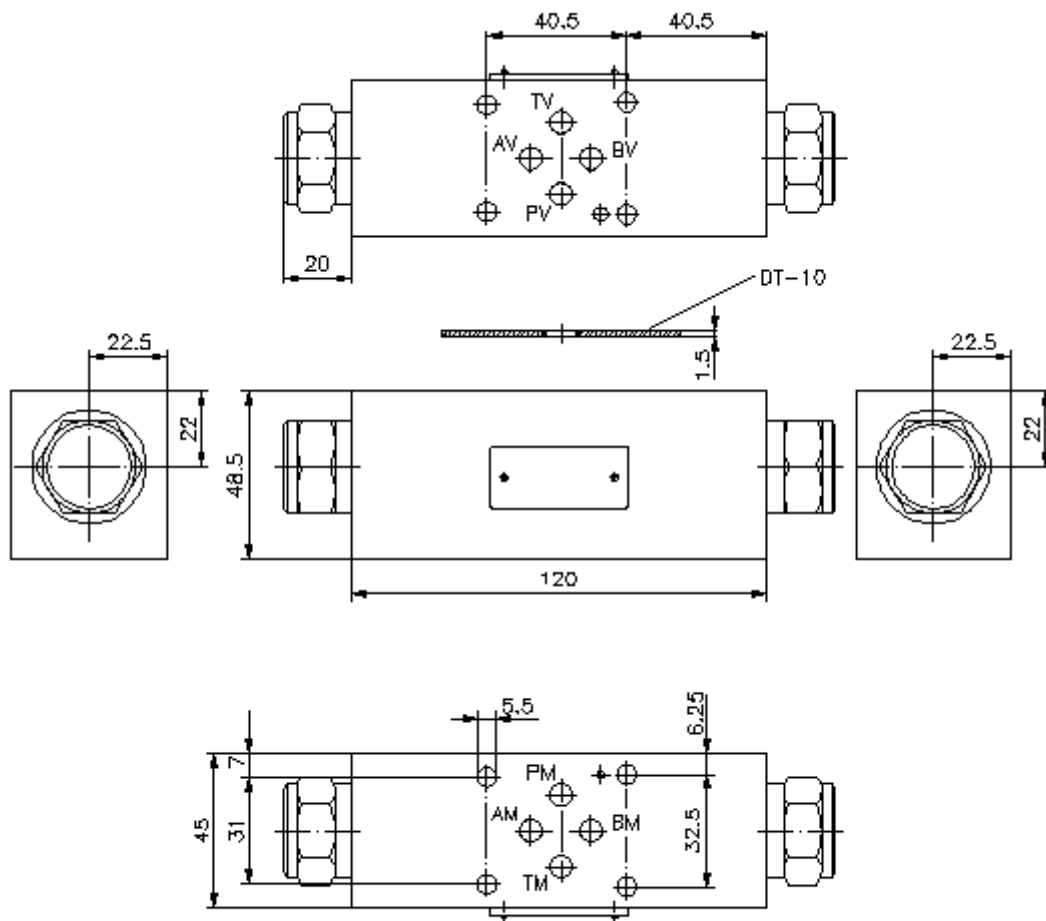
**Nom. pressure:**  
250 bar

**Nominal flow:**  
110 l/min.



**IZ-140-451-00**

(Subject to change!)



**pilot op.check valve from P CETOP 5  
(sandwich plate) in B  
RECZ-10A-B/...**



IMAV-Hydraulik GmbH  
Breite Strasse 10  
D-40670 Meerbusch (Osterath)  
Phone +49 (0)2159 - 9188.0  
Fax +49 (0)2159 - 4242  
E-mail: [info@imav.com](mailto:info@imav.com)  
Internet: <http://www.imav.com>

**IZ-140-451-00**

(Subject to change!)

**Ordering example:**

RECZ - 10A - B / 030  
|        |        |        |  
**A**    **B**    **C**    **D**

**Model code:**

- A design**  
pilot operated check valve  
pilot operated from P  
with mounting interface DIN 24340 form A  
sandwichplate design
- B size and material**  
10A = aluminum (F37)

- C function mode**  
B = in B acting
- D pilot operated check valve free flow  
crack pressure POCI-12.-..**  
10 = 0.7 bar  
30 = 2.1 bar  
60 = 4.1 bar

**Technical Data:**

**nominal pressure:** 250 bar  
**nominal flow:** 110 l/min  
**weight:** 1.9 kg  
**check valve:** POCI-12.- see datasheet no.: [CC-210-121-00](#)  
**free flow direction:** see symbol  
**included:** DT-10 = sealing plate with vulcanized O-ring (Viton FPM)