

**regeneration circuit plate, CETOP 5  
(sandwich plate) in A  
DSCZ-10.-A**



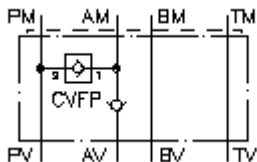
IMAV-Hydraulik GmbH  
Breite Strasse 10  
D-40670 Meerbusch (Osterath)  
Phone +49 (0)2159 - 9188.0  
Fax +49 (0)2159 - 4242  
E-mail: [info@imav.com](mailto:info@imav.com)  
Internet: <http://www.imav.com>



**Symbol:**

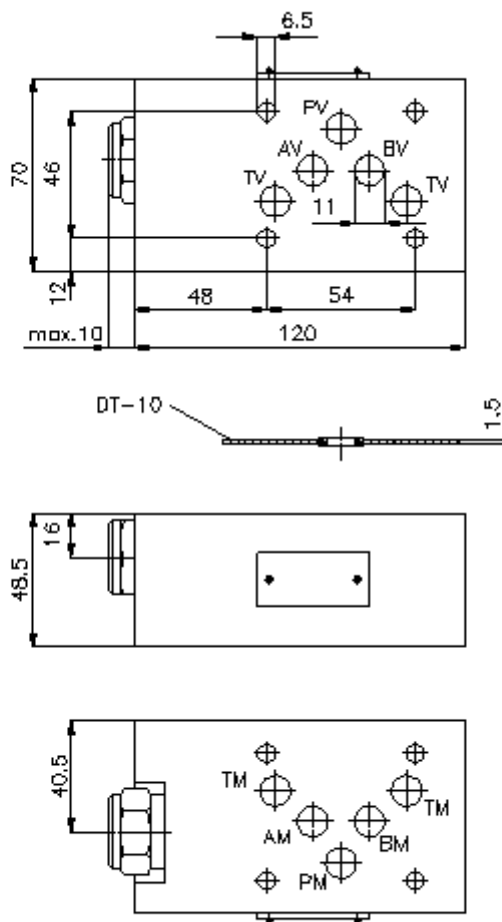
**Nom. pressure:**  
350 bar

**Nominal flow:**  
50 l/min.



**IZ-210-450-00**

(Subject to change!)



**regeneration circuit plate, CETOP 5  
(sandwich plate) in A  
DSCZ-10.-A**



IMAV-Hydraulik GmbH  
Breite Strasse 10  
D-40670 Meerbusch (Osterath)  
Phone +49 (0)2159 - 9188.0  
Fax +49 (0)2159 - 4242  
E-mail: [info@imav.com](mailto:info@imav.com)  
Internet: <http://www.imav.com>

**IZ-210-450-00**

(Subject to change!)

**Ordering example:**

DSCZ - 10A - A  
|        |        |  
**A**    **B**    **C**

**Model code:**

**A** **design**  
regeneration plate  
with mounting interface DIN 24340 form A  
sandwichplate design

**B** **size and material**  
10A = aluminum (F37)  
10S = steel (9SMnPb28K resp. GGG-40)

**C** **function mode**  
A = check valve in the "A" channel

**Technical Data:**

**nominal pressure:** 250 bar (A)  
350 bar (S)  
**nominal flow:** 50 l/min  
**weight:** 1.1 / 2.9 kg (A/S)  
**crack pressure:** 0.2 - 0.3 bar  
**free flow direction:** see symbol  
**check valve:** CVFP-10.-0-.. see datasheet no. [CC-110-101-00](#)  
**included:** DT-10 = sealing plate with vulcanized O-ring (Viton FPM)