

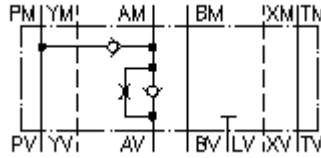
**regeneration circuit plate, CETOP 8
(sandwich plate) in A with orifice
DSVZ-25S-AS/1.0mm**



Symbol:

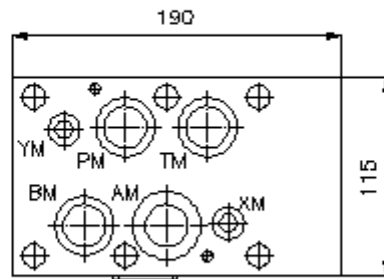
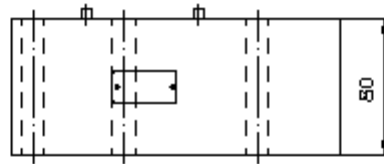
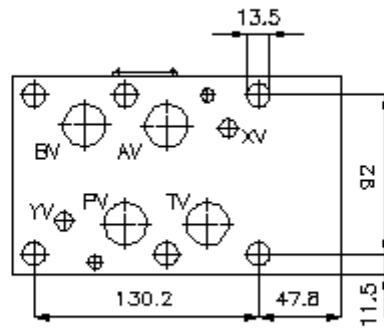
Nom. pressure:
350 bar

Nominal flow:
240 l/min.



IMAV-Hydraulik GmbH
Breite Strasse 10
D-40670 Meerbusch (Osterath)
Phone +49 (0)2159 - 9188.0
Fax +49 (0)2159 - 4242
E-mail: info@imav.com
Internet: <http://www.imav.com>

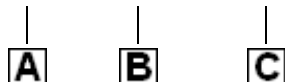
IZ-210-601-00
(Subject to change!)



**regeneration circuit plate, CETOP 8
(sandwich plate) in A with orifice
DSVZ-25S-AS/1.0mm**

Ordering example:

DSVZ - 25S - AS/1.0 MM



IMAV-Hydraulik GmbH
Breite Strasse 10
D-40670 Meerbusch (Osterath)
Phone +49 (0)2159 - 9188.0
Fax +49 (0)2159 - 4242
E-mail: info@imav.com
Internet: <http://www.imav.com>

IZ-210-601-00

(Subject to change!)

Model code:

A **design**
regeneration plate
with mounting interface DIN 24340 form A
sandwichplate design

B **size and material**
25S = steel (9SMnPb28K resp. GGG-40)

C **function mode**
AS/1.0mm = check valve with orifice 1.0
mm in the "A" channel

Technical Data:

nominal pressure: 350 bar
nominal flow: 240 l/min
weight: 12.3 kg
crack pressure: 0.2 - 0.3 bar
free flow direction: see symbol
included: 3 pcs. O-ring 28.17 x 3.53
2 pcs. O-ring 14.00 x 2.62
2 pcs. O-ring 34.00 x 2.50