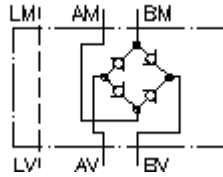


**rectifier CETOP 5 with
(sandwich plate) with leakage hole
QGZ-10.**



Symbol:



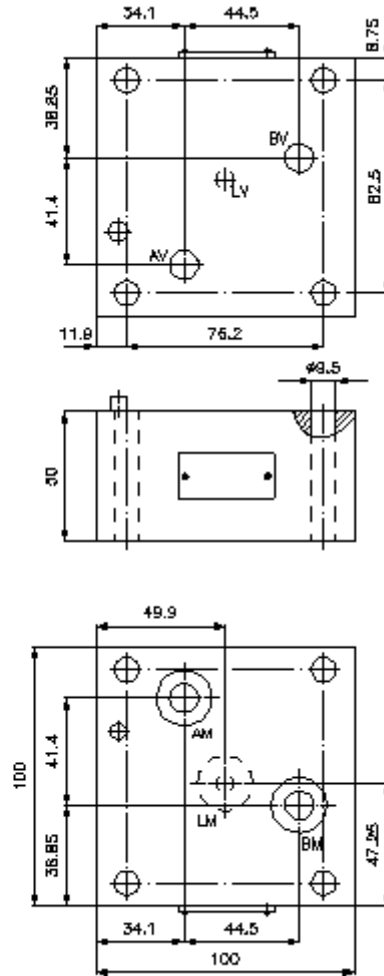
Nom. pressure:
350 bar

Nominal flow:
50 l/min.



IMAV-Hydraulik GmbH
Breite Strasse 10
D-40670 Meerbusch (Osterath)
Phone +49 (0)2159 - 9188.0
Fax +49 (0)2159 - 4242
E-mail: info@imav.com
Internet: <http://www.imav.com>

IZ-310-402-00
(Subject to change!)



**rectifier CETOP 5 with
(sandwich plate) with leakage hole
QGZ-10.**

Ordering example:

QGZ - 10A
| |
A **B**



IMAV-Hydraulik GmbH
Breite Strasse 10
D-40670 Meerbusch (Osterath)
Phone +49 (0)2159 - 9188.0
Fax +49 (0)2159 - 4242
E-mail: info@imav.com
Internet: <http://www.imav.com>

IZ-310-402-00
(Subject to change!)

Model code:

A **design**
flow rectifier plate
sandwichplate design

B **size and material**
10A = aluminum (F37)
10S = steel (9SMnPb28K resp. GGG-40)

Technical Data:

nominal pressure: 250 bar (A)
350 bar (S)
nominal flow: 50 l/min
weight: 1.2 / 3.4 kg (A/S)
included: 5 pcs. O-Ring 17.12 x 2.62