

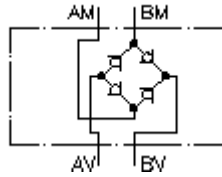
**rectifier CETOP 7
(sandwich plate)
SGZ-16.**



Symbol:

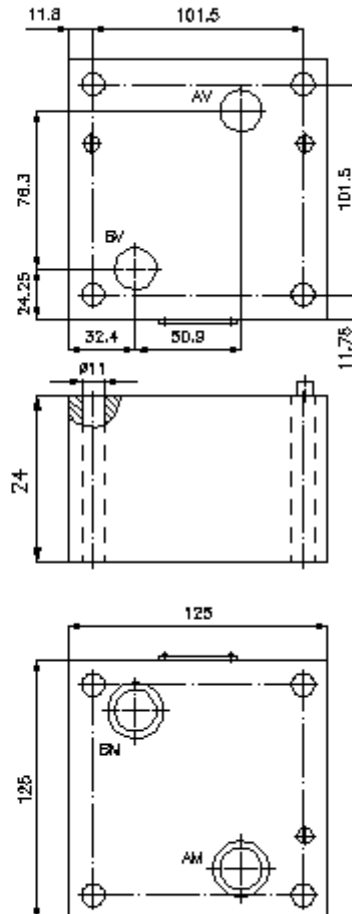
Nom. pressure:
350 bar

Nominal flow:
140 l/min.



IMAV-Hydraulik GmbH
Breite Strasse 10
D-40670 Meerbusch (Osterath)
Phone +49 (0)2159 - 9188.0
Fax +49 (0)2159 - 4242
E-mail: info@imav.com
Internet: <http://www.imav.com>

IZ-310-500-00
(Subject to change!)



**rectifier CETOP 7
(sandwich plate)
SGZ-16.**

Ordering example:

SGZ - 16A
| |
A **B**



IMAV-Hydraulik GmbH
Breite Strasse 10
D-40670 Meerbusch (Osterath)
Phone +49 (0)2159 - 9188.0
Fax +49 (0)2159 - 4242
E-mail: info@imav.com
Internet: <http://www.imav.com>

IZ-310-500-00
(Subject to change!)

Model code:

A **design**
flow rectifier plate
sandwichplate design

B **size and material**
16A = aluminum (F37)
16S = steel (9SMnPb28K resp. GGG-40)

Technical Data:

nominal pressure: 250 bar (A)
350 bar (S)
nominal flow: 140 l/min
weight: 3.2 / 8.8 kg (A/S)
included: 4 pcs. O-Ring 22.42 x 2.62