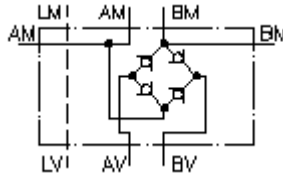


**rectifier CETOP 7 with  
(mounting plate) with leakage hole  
QGA-16.**



**Symbol:**



**Nom. pressure:**  
350 bar

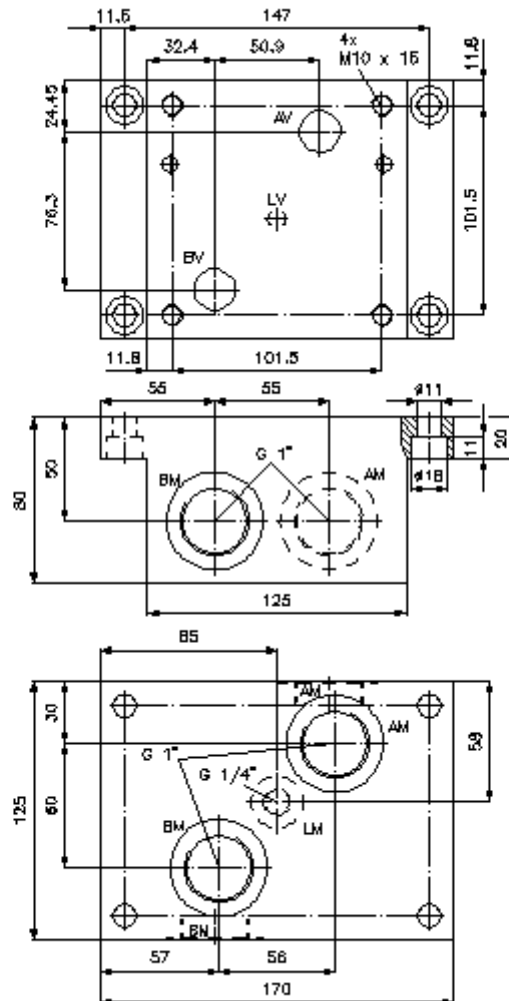
**Nominal flow:**  
140 l/min.



IMAV-Hydraulik GmbH  
Breite Strasse 10  
D-40670 Meerbusch (Osterath)  
Phone +49 (0)2159 - 9188.0  
Fax +49 (0)2159 - 4242  
E-mail: [info@imav.com](mailto:info@imav.com)  
Internet: <http://www.imav.com>

**IZ-310-503-00**

(Subject to change!)



**rectifier CETOP 7 with  
(mounting plate) with leakage hole  
QGA-16.**

**Ordering example:**

QGA - 16A  
|            |  
**A**        **B**



IMAV-Hydraulik GmbH  
Breite Strasse 10  
D-40670 Meerbusch (Osterath)  
Phone +49 (0)2159 - 9188.0  
Fax +49 (0)2159 - 4242  
E-mail: [info@imav.com](mailto:info@imav.com)  
Internet: <http://www.imav.com>

**IZ-310-503-00**

(Subject to change!)

**Model code:**

**A** **design**  
flow rectifier plate  
mounting

**B** **size and material**  
16A = aluminum (F37)  
16S = steel (9SMnPb28K resp. GGG-40)

**Technical Data:**

**nominal pressure:** 250 bar (A)  
350 bar (S)  
**nominal flow:** 140 l/min  
**weight:** 3.9 / 10.7 kg (A/S)