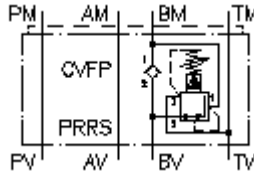


**3 way press. reg. valve CETOP 3  
(sandwich plate) in B,pilot operat.  
DMVZ-06S-BRS./..**



IMAV-Hydraulik GmbH  
Breite Strasse 10  
D-40670 Meerbusch (Osterath)  
Phone +49 (0)2159 - 9188.0  
Fax +49 (0)2159 - 4242  
E-mail: [info@imav.com](mailto:info@imav.com)  
Internet: <http://www.imav.com>

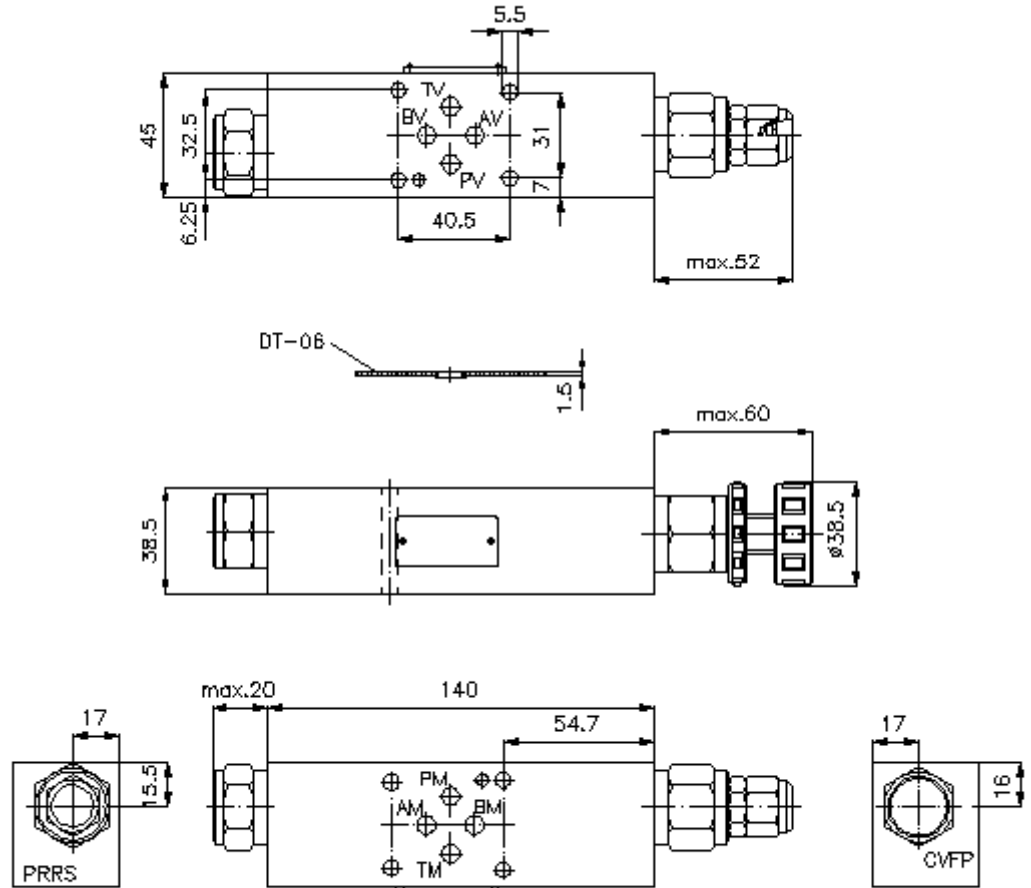
 **Symbol:**



**Nom. pressure:**  
350 bar

**Nominal flow:**  
45 l/min.

**IZ-430-252-00**  
(Subject to change!)



**3 way press. reg. valve CETOP 3  
(sandwich plate) in B,pilot operat.  
DMVZ-06S-BRS./..**



IMAV-Hydraulik GmbH  
Breite Strasse 10  
D-40670 Meerbusch (Osterath)  
Phone +49 (0)2159 - 9188.0  
Fax +49 (0)2159 - 4242  
E-mail: [info@imav.com](mailto:info@imav.com)  
Internet: <http://www.imav.com>

**IZ-430-252-00**

(Subject to change!)

**Ordering example:**

DMVZ - 06S - B RS C / 15  
| | | | |  
**A B C D E F**

**Model code:**

- |   |  |
|---|--|
| <p><b>A design</b><br/>pressure regulator valve<br/>adjustable<br/>pilot operated<br/>spool type valve<br/>with mounting interface DIN 24340 form A<br/>sandwichplate design</p> <p><b>B size and material</b><br/>06S = steel (9SMnPb28K resp. GGG-40)</p> | <p><b>C function mode</b><br/>B = in B acting</p> <p><b>D pressure reducing valve</b><br/>RS = PRRS-10.-.. (pilot operated) see data<br/>sheet no.: <a href="#">CP-210-101-00</a></p> <p><b>E adjustment</b><br/>C = cap<br/>K = handknob</p> <p><b>F pressure range (PRRS)</b><br/>15 = 3.4 - 105 bar<br/>30 = 3.4 - 210 bar<br/>50 = 3.4 - 350 bar</p> |
|---|--|

**Technical Data:**

<b>nominal pressure:</b>	350 bar
<b>nominal flow:</b>	45 l/min
<b>weight:</b>	1.9 kg
<b>pressure regulator valve:</b>	PRRS-10.-.. see datasheet no. <a href="#">CP-210-101-00</a>
<b>included:</b>	DT-06 = sealing plate with vulcanized O-ring (Viton FPM)