

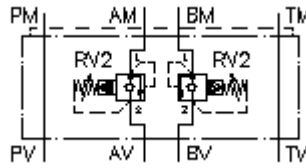
**relief valve CETOP 5  
(sandwich plate) in A+B, pilot op.  
VSZ-10.-A+B.../..**



**Symbol:**

**Nom. pressure:**  
350 bar

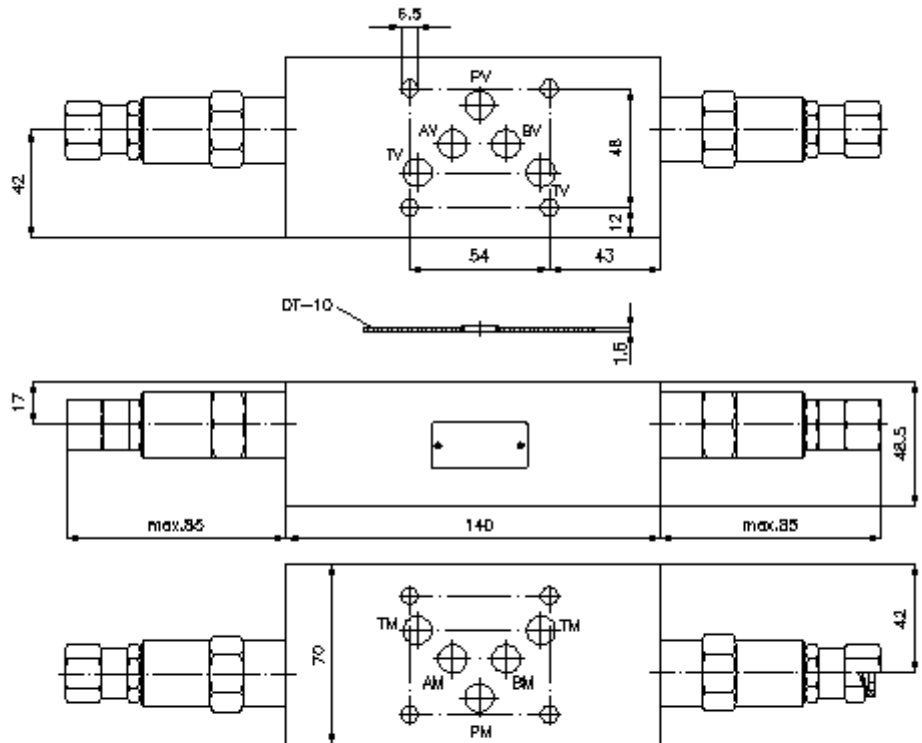
**Nominal flow:**  
115 l/min.



IMAV-Hydraulik GmbH  
Breite Strasse 10  
D-40670 Meerbusch (Osterath)  
Phone +49 (0)2159 - 9188.0  
Fax +49 (0)2159 - 4242  
E-mail: [info@imav.com](mailto:info@imav.com)  
Internet: <http://www.imav.com>

**IZ-510-402-00**

(Subject to change!)



**relief valve CETOP 5  
(sandwich plate) in A+B, pilot op.  
VSZ-10.-A+B.../..**



IMAV-Hydraulik GmbH  
Breite Strasse 10  
D-40670 Meerbusch (Osterath)  
Phone +49 (0)2159 - 9188.0  
Fax +49 (0)2159 - 4242  
E-mail: [info@imav.com](mailto:info@imav.com)  
Internet: <http://www.imav.com>

**IZ-510-402-00**

(Subject to change!)

**Ordering example:**

VSZ - 10A - A+B 02 C / 35  
| | | | |  
**A** **B** **C** **D** **E** **F**

**Model code:**

- |   |  |
|---|--|
| <p><b>A design</b><br/>backpressure valve<br/>adjustable<br/>pilot operated<br/>poppet type valve<br/>with mounting interface DIN 24340 form A<br/>sandwichplate design</p> <p><b>B size and material</b><br/>10A = aluminum (F37)<br/>10S = steel (9SMnPb28K resp. GGG-40)</p> | <p><b>C function mode</b><br/>A+B = in A and B acting</p> <p><b>D relief valve</b><br/>02 = RV2-10.-.. (pilot operated) see data<br/>sheet no.: <a href="#">MP-160-101-00</a></p> <p><b>E adjustment</b><br/>C = cap</p> <p><b>F pressure range</b><br/>03 = 3.4 - 21 bar<br/>20 = 6.9 - 138 bar<br/>35 = 17.2 - 241 bar<br/>50 = 34.5 - 350 bar</p> |
|---|--|

**Technical Data:**

- |                          |  |
|--------------------------|--|
| <b>nominal pressure:</b> | 250 bar (A)<br>350 bar (S)                                 |
| <b>nominal flow:</b>     | 115 l/min  |
| <b>weight:</b>           | 1.8 / 3.4 kg (A/S)   |
| <b>relief valve:</b>     | RV2-10.-.. see datasheet no. <a href="#">MP-160-101-00</a> |
| <b>included:</b>         | DT-10 = sealing plate with vulcanized O-ring (Viton FPM)   |