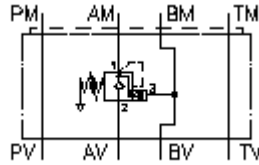


**counterbalance valve, CETOP 3
(sandwich plate) in A (vent.spring)
SBLZ-06.-APGC/..**



IMAV-Hydraulik GmbH
Breite Strasse 10
D-40670 Meerbusch (Osterath)
Phone +49 (0)2159 - 9188.0
Fax +49 (0)2159 - 4242
E-mail: info@imav.com
Internet: <http://www.imav.com>

 **Symbol:**

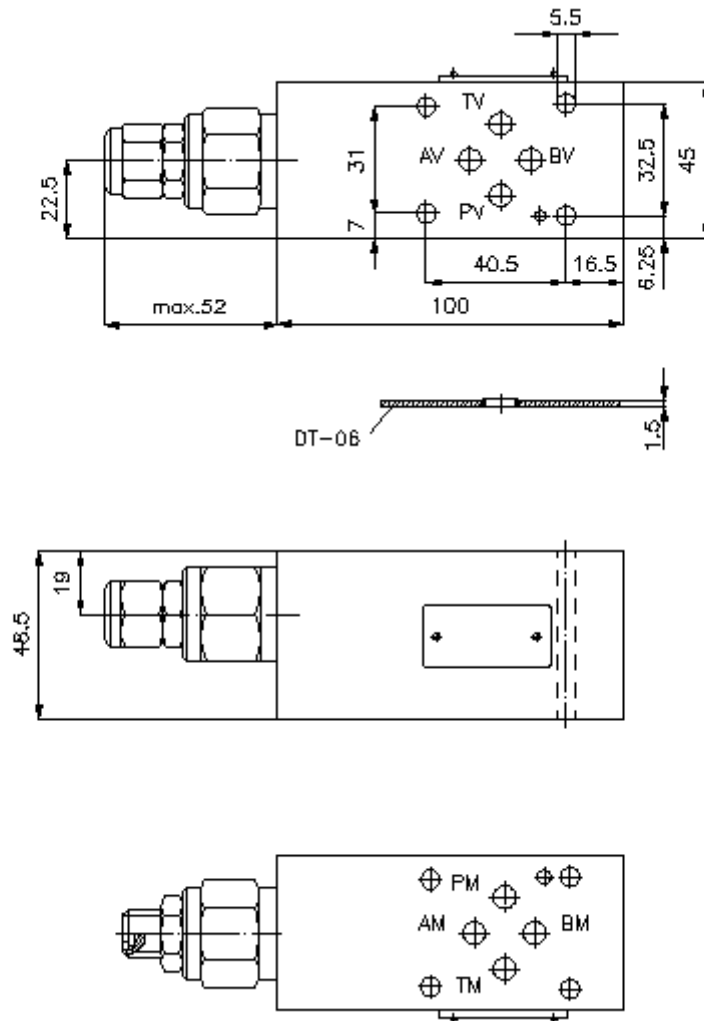


Nom. pressure:
350 bar

Nominal flow:
60 l/min.

IZ-520-253-00

(Subject to change!)



**counterbalance valve, CETOP 3
(sandwich plate) in A (vent.spring)
SBLZ-06.-APGC/..**



IMAV-Hydraulik GmbH
Breite Strasse 10
D-40670 Meerbusch (Osterath)
Phone +49 (0)2159 - 9188.0
Fax +49 (0)2159 - 4242
E-mail: info@imav.com
Internet: <http://www.imav.com>

IZ-520-253-00

(Subject to change!)

Ordering example:

SBLZ - 06A - A PG C / 50
| | | | |
A **B** **C** **D** **E** **F**

Model code:

- | | |
|---|--|
| <p>A design
counter balance valve
with mounting interface DIN 24340 form A
sandwichplate design</p> <p>B size and material
06A = aluminum (F37)
06S = steel (9SMnPb28K resp. GGG-40)</p> <p>C function mode
A = in A acting</p> | <p>D counter balance valve (pilot ratio 4:1)
PG = CBPG-10.-.. (vented spring)</p> <p>E adjustment
C = cap
S = screw adjustment</p> <p>F pressure range (CBPG)
15 = 3.4 - 105 bar
30 = 6.9 -210 bar
50 = 10.3 - 350 bar</p> |
|---|--|

Technical Data:

- nominal pressure:** 350 bar (S)
250 bar (A)
- nominal flow:** 60 l/min
- weight:** 0.9 / 2.2 kg (A/S)
- counter balance valve:** CBPG-10.-.. see datasheet no. CC-420-101-00
- included:** DT-06 = sealing plate with vulcanized O-ring (Viton FPM)