

**throttle check valve CETOP 5
(sandwich plate) in A+B
DVZ-10**

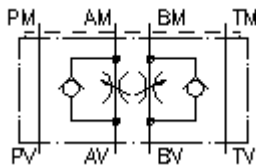


Symbol:

Nom. pressure:
350 bar

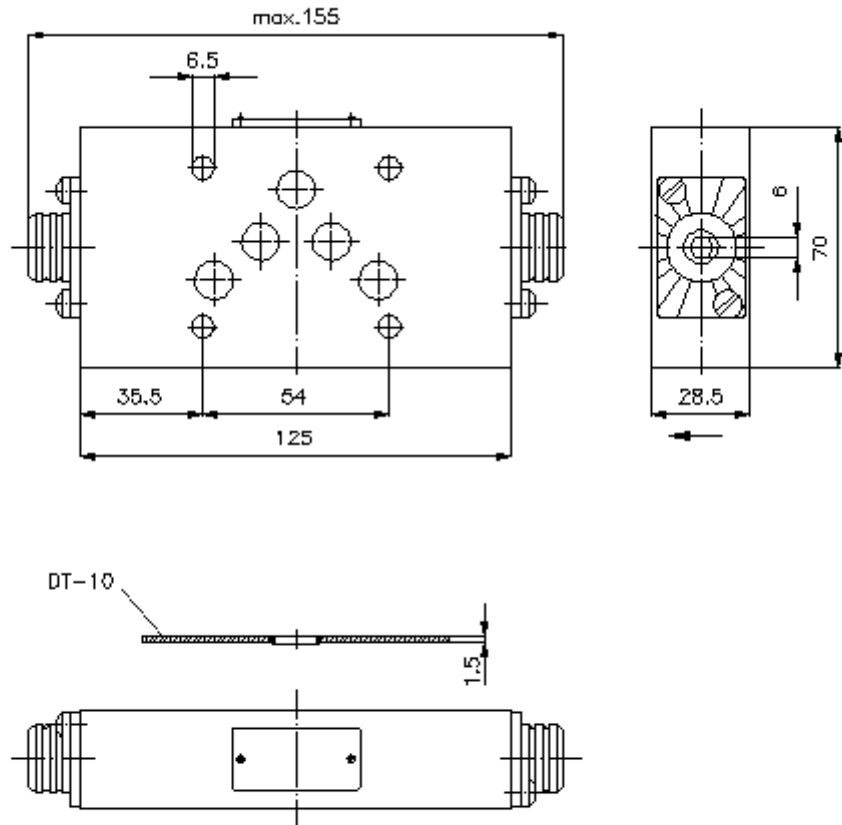
Nominal flow:
100 l/min.

reduced flow by consumer



IMAV-Hydraulik GmbH
Breite Strasse 10
D-40670 Meerbusch (Osterath)
Phone +49 (0)2159 - 9188.0
Fax +49 (0)2159 - 4242
E-mail: info@imav.com
Internet: <http://www.imav.com>

IZ-610-400-00
(Subject to change!)



**throttle check valve CETOP 5
(sandwich plate) in A+B
DVZ-10**



Ordering example:

DVZ - 10
| |
A **B**

IMAV-Hydraulik GmbH
Breite Strasse 10
D-40670 Meerbusch (Osterath)
Phone +49 (0)2159 - 9188.0
Fax +49 (0)2159 - 4242
E-mail: info@imav.com
Internet: <http://www.imav.com>

IZ-610-400-00
(Subject to change!)

Model code:

A **design**
throttle check valve
with mounting interface DIN 24340 form A
sandwichplate design

B **size**
10

Technical Data:

note: inlet and outlet regulation changes by rotating the valve around the vertical axis

nominal pressure: 350 bar

nominal flow: 100 l/min

weight: 1.3 kg

included: DT-10 = sealing plate with vulcanized O-ring (Viton FPM)