

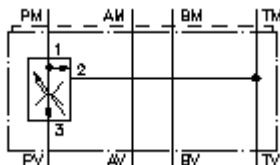
**3 way flow reg. valve CETOP 3
(sandwich plate) in P to T
SR3Z-06S-PCV./.....**



IMAV-Hydraulik GmbH
Breite Strasse 10
D-40670 Meerbusch (Osterath)
Phone +49 (0)2159 - 9188.0
Fax +49 (0)2159 - 4242
E-mail: info@imav.com
Internet: <http://www.imav.com>

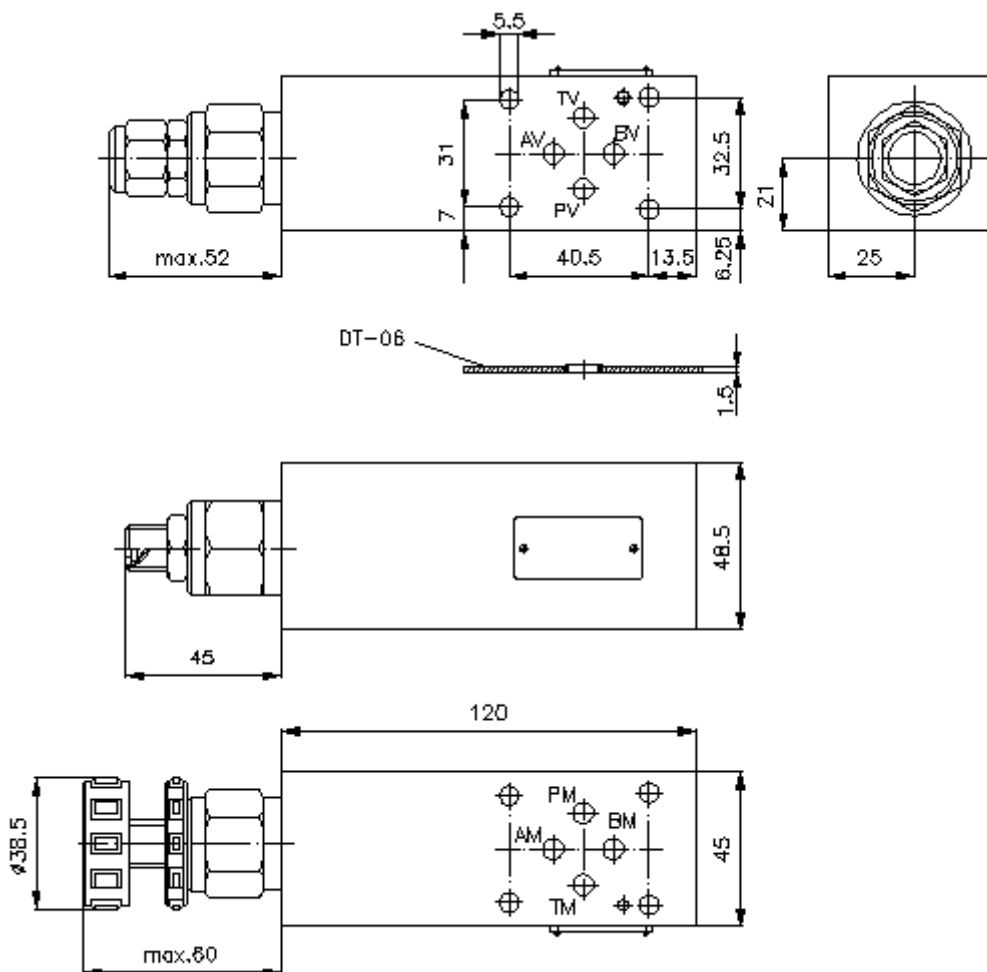
 **Symbol:**

Nom. pressure:
350 bar



IZ-660-250-00

(Subject to change!)



**3 way flow reg. valve CETOP 3
(sandwich plate) in P to T
SR3Z-06S-PCV./.....**



IMAV-Hydraulik GmbH
Breite Strasse 10
D-40670 Meerbusch (Osterath)
Phone +49 (0)2159 - 9188.0
Fax +49 (0)2159 - 4242
E-mail: info@imav.com
Internet: <http://www.imav.com>

IZ-660-250-00

(Subject to change!)

Ordering example:

SR3Z - 06S - P CV C / 06.00
| | | | |
A B C D E F

Model code:

- | | |
|---|---|
| <p>A design
flow regulator valve
max. 50% volume reduction of the factory set flow
with mounting interface DIN 24340 form A sandwichplate design</p> <p>B size and material
06S = steel (9SMnPb28K resp. GGG-40)</p> <p>C function mode
P = in P acting (supply)</p> <p>D flow regulator valve
CV = BFCV-10.-..</p> | <p>E adjustment
S = screw adjustment
C = cap
K = handknob</p> <p>F requested regulated oil flow
(BFCV) specify in gpm
1 l/min = 0.265 Gpm
(1 Gpm = 3.785 l/min)</p> |
|---|---|

Technical Data:

- weight:** 1.6 kg
- flow regulator valve:** BFCV-10.-.-0-.. see datasheet no. [CF-400-101-00](#)
- included:** DT-06 = sealing plate with vulcanized O-ring (Viton FPM)