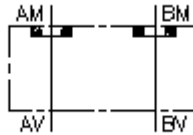


**adapter plate CETOP 5 to CETOP 3  
(sandwich plate) for flow-reg.-v.  
AP-10A/06A-SV**



**Symbol:**

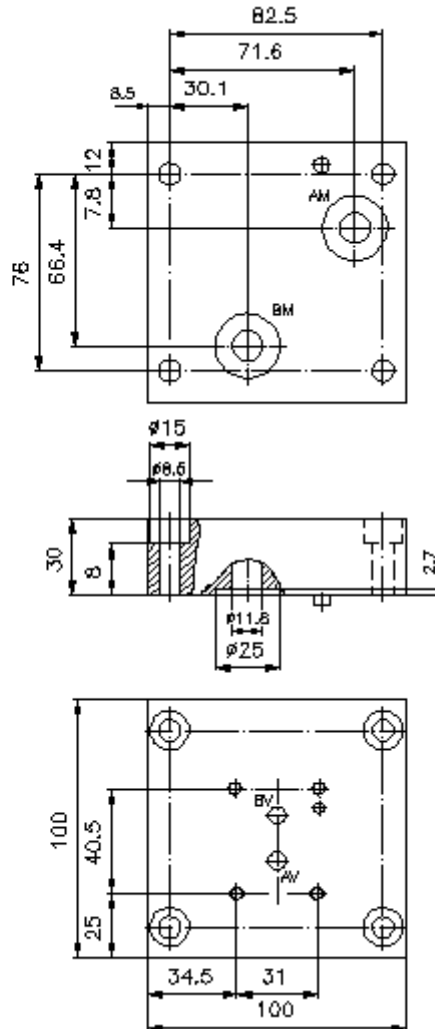
**Nom. pressure:**  
250 bar



IMAV-Hydraulik GmbH  
Breite Strasse 10  
D-40670 Meerbusch (Osterath)  
Phone +49 (0)2159 - 9188.0  
Fax +49 (0)2159 - 4242  
E-mail: [info@imav.com](mailto:info@imav.com)  
Internet: <http://www.imav.com>

**IZ-810-420-00**

(Subject to change!)



**adapter plate CETOP 5 to CETOP 3  
(sandwich plate) for flow-reg.-v.  
AP-10A/06A-SV**



IMAV-Hydraulik GmbH  
Breite Strasse 10  
D-40670 Meerbusch (Osterath)  
Phone +49 (0)2159 - 9188.0  
Fax +49 (0)2159 - 4242  
E-mail: [info@imav.com](mailto:info@imav.com)  
Internet: <http://www.imav.com>

**IZ-810-420-00**

(Subject to change!)

**Ordering example:**

AP      - 10A/06A - SV  
|            |            |  
**A**        **B**        **C**

**Model code:**

- A design**  
adapter-plate  
for 2 way flow regulator valve
- B size and material**  
reduction from CETOP 5 to CETOP 3  
10A/06A = aluminum (F37)

- C function mode**  
SV = flow regulator valve CETOP 3

**Technical Data:**

- note:** These multi-purpose-adapter-plate MGAP-10S/06S-.. have a cavity type C-10-20, and can be completed with either Modular/EATON- or Command Controls-screw-in valves.
- nominal pressure:** 250 bar
- weight:** 0.8 kg
- included:** included  
2 pcs. O-Ring 18.64 x 3.53