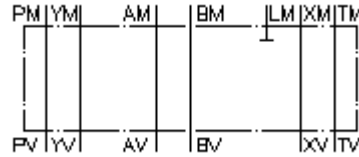


**adapter plate CETOP 7 to CETOP 5
(sandwich plate) CETOP 5-XY ext.
AP-16S/10S-XY-S**



IMAV-Hydraulik GmbH
Breite Strasse 10
D-40670 Meerbusch (Osterath)
Phone +49 (0)2159 - 9188.0
Fax +49 (0)2159 - 4242
E-mail: info@imav.com
Internet: <http://www.imav.com>

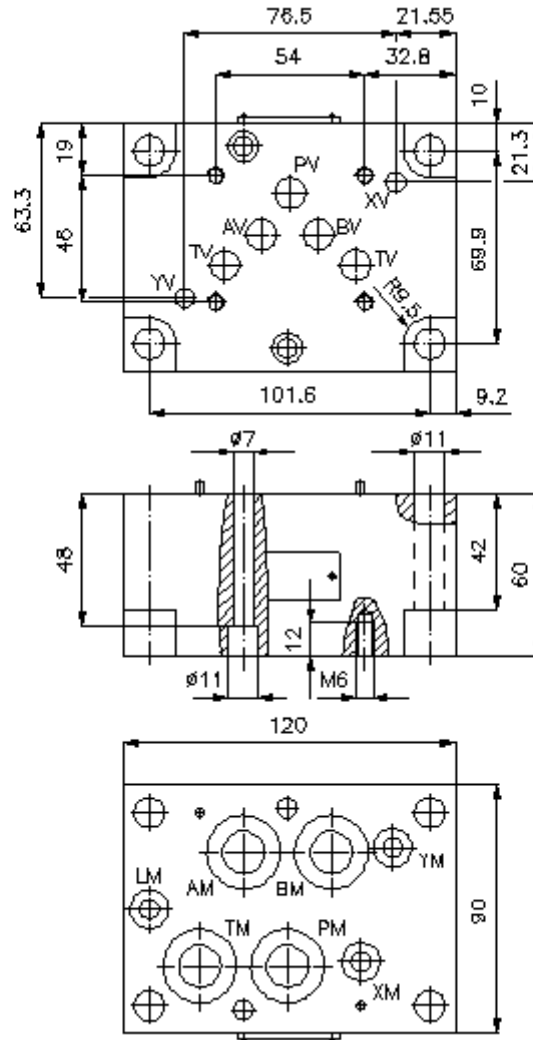
 **Symbol:**



Nom. pressure:
350 bar

IZ-810-511-00

(Subject to change!)



**adapter plate CETOP 7 to CETOP 5
(sandwich plate) CETOP 5-XY ext.
AP-16S/10S-XY-S**

Ordering example:

AP - 16S/10S - XY
| | |
A **B** **C**



IMAV-Hydraulik GmbH
Breite Strasse 10
D-40670 Meerbusch (Osterath)
Phone +49 (0)2159 - 9188.0
Fax +49 (0)2159 - 4242
E-mail: info@imav.com
Internet: <http://www.imav.com>

IZ-810-511-00

(Subject to change!)

Model code:

A design
adapter-plate
with mounting interface DIN 24340 form A

B size and material
reduction from CETOP 7 to CETOP 5
16S/10S = steel (9SMnPb28K resp. GGG-40)

C function mode
XY = mit X und Y Bohrung

Technical Data:

nominal pressure: 350 bar
weight: 2.7 kg
included: 4 pcs. O-ring 22.22 x 2.62
3 pcs. O-ring 9.19 x 2.62