

**adapter plate CETOP 8 to CETOP 7
(sandwich plate)
AP-25S/16S**



IMAV-Hydraulik GmbH
Breite Strasse 10
D-40670 Meerbusch (Osterath)
Phone +49 (0)2159 - 9188.0
Fax +49 (0)2159 - 4242
E-mail: info@imav.com
Internet: <http://www.imav.com>

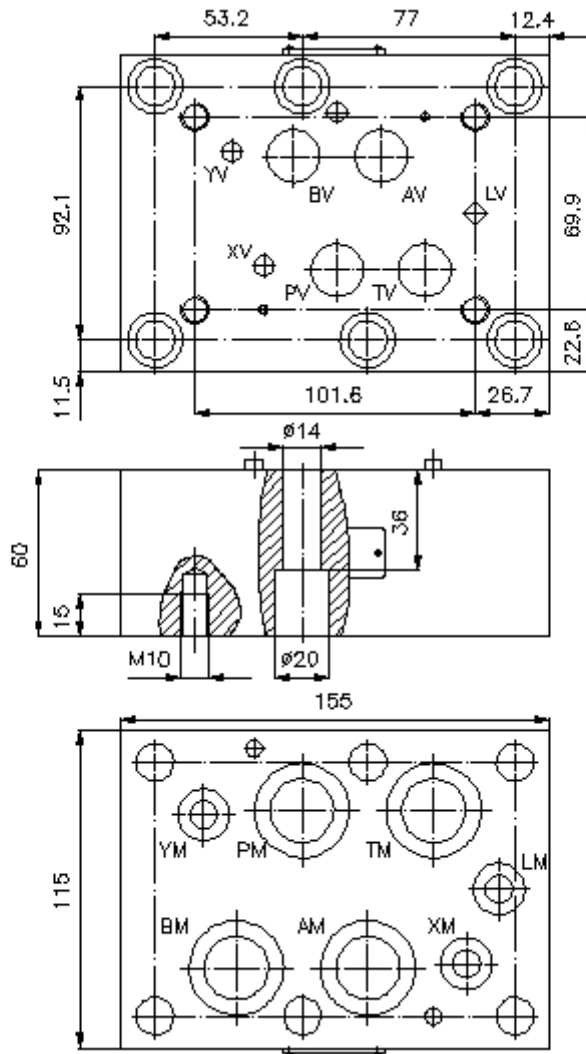
 **Symbol:**



Nom. pressure:
350 bar

IZ-810-600-00

(Subject to change!)



**adapter plate CETOP 8 to CETOP 7
(sandwich plate)
AP-25S/16S**

Ordering example:

AP - 25S/16S
| |
A **B**



IMAV-Hydraulik GmbH
Breite Strasse 10
D-40670 Meerbusch (Osterath)
Phone +49 (0)2159 - 9188.0
Fax +49 (0)2159 - 4242
E-mail: info@imav.com
Internet: <http://www.imav.com>

IZ-810-600-00
(Subject to change!)

Model code:

A **design**
adapter-plate
with mounting interface DIN 24340 form A

B **size and material**
reduction from CETOP 8 to CETOP 7
25S/16S = steel (9SMnPb28K resp. GGG-40)

Technical Data:

nominal pressure: 350 bar
weight: 6.3 kg
included: 4 pcs. O-Ring 28.17 x 3.53
3 pcs. O-Ring 14.00 x 2.65