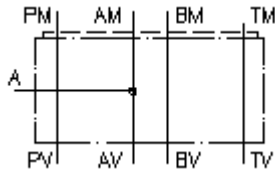


**gauge port plate, CETOP 3
(sandwich plate) port in A
MPZ-065A-A-B04**



Symbol:

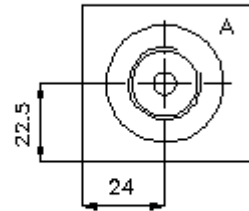
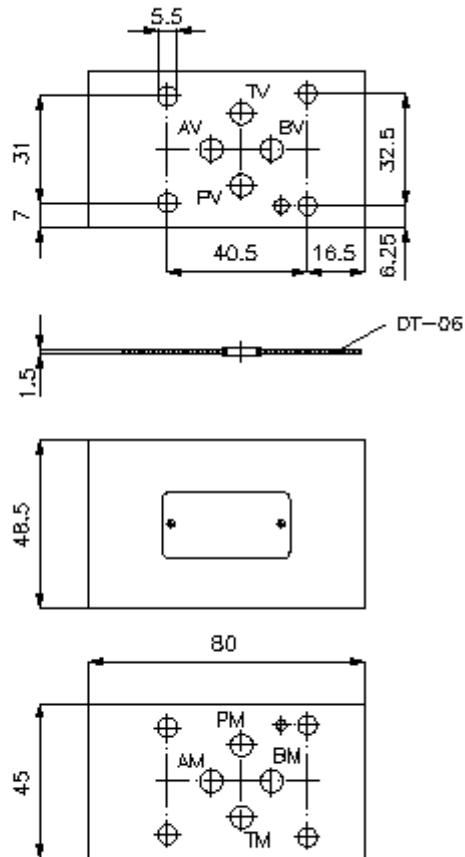
Nom. pressure:
250 bar



IMAV-Hydraulik GmbH
Breite Strasse 10
D-40670 Meerbusch (Osterath)
Phone +49 (0)2159 - 9188.0
Fax +49 (0)2159 - 4242
E-mail: info@imav.com
Internet: <http://www.imav.com>

IZ-835-200-00

(Subject to change!)



**gauge port plate, CETOP 3
(sandwich plate) port in A
MPZ-065A-A-B04**



IMAV-Hydraulik GmbH
Breite Strasse 10
D-40670 Meerbusch (Osterath)
Phone +49 (0)2159 - 9188.0
Fax +49 (0)2159 - 4242
E-mail: info@imav.com
Internet: <http://www.imav.com>

IZ-835-200-00

(Subject to change!)

Ordering example:

MPZ - 065A - A - B04
| | | |
A **B** **C** **D**

Model code:

A design
gauge plate
with mounting interface DIN 24340 form A
sandwichplate design

B size and material
065A = aluminum (F37)

C function mode
A = with gauge port at A

D thread size
B04 = BSPP 1/2"

Technical Data:

nominal pressure: 250 bar

weight: 0.5 kg

included: DT-06 = sealing plate with vulcanized O-ring (Viton FPM)