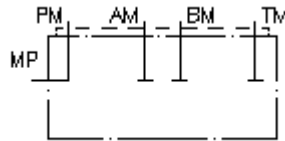


blanking plate CETOP 3
P,T,A,B closed,with gauge port at P
VSP-06.-MP



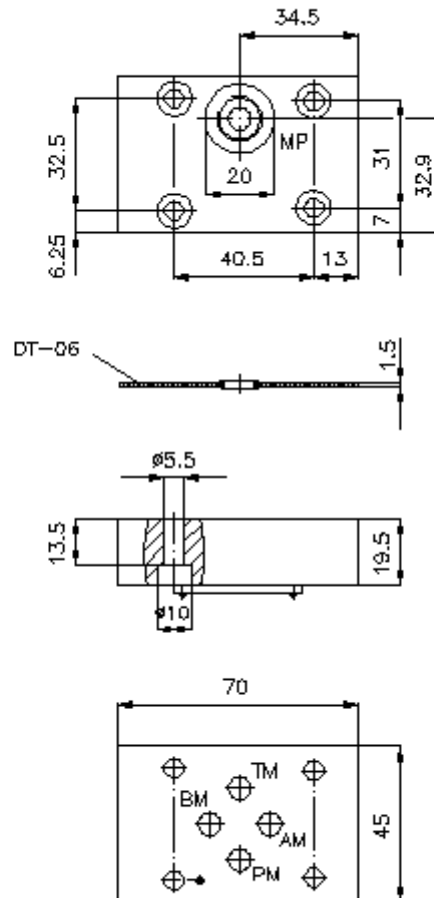
IMAV-Hydraulik GmbH
 Breite Strasse 10
 D-40670 Meerbusch (Osterath)
 Phone +49 (0)2159 - 9188.0
 Fax +49 (0)2159 - 4242
 E-mail: info@imav.com
 Internet: <http://www.imav.com>

 **Symbol:**



Nom. pressure:
 350 bar

IZ-850-201-00
 (Subject to change!)



blanking plate CETOP 3
P,T,A,B closed,with gauge port at P
VSP-06.-MP



IMAV-Hydraulik GmbH
Breite Strasse 10
D-40670 Meerbusch (Osterath)
Phone +49 (0)2159 - 9188.0
Fax +49 (0)2159 - 4242
E-mail: info@imav.com
Internet: <http://www.imav.com>

IZ-850-201-00

(Subject to change!)

Ordering example:

VSP - 06A - MP
| | |
A **B** **C**

Model code:

- A design**
linking sandwich plate
with mounting interface DIN 24340 form A
- B size and material**
06A = aluminum (F37)
06S = steel (9SMnPb28K resp. GGG-40)

- C function mode**
MP = gauge port at the P side

Technical Data:

- note:** required mounting screws:
4 pcs. M5 x 25 DIN 912
- nominal pressure:** 250 bar (A)
350 bar (S)
- weight:** 0.2 / 0.5 kg (A/S)
- included:** DT-06 = sealing plate with vulcanized O-ring (Viton FPM)