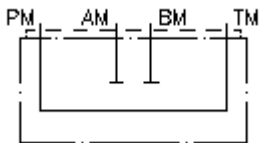


**linking/crossover plate CETOP 3  
P with T connected, A and B closed  
UP-06.-PT**



**Symbol:**

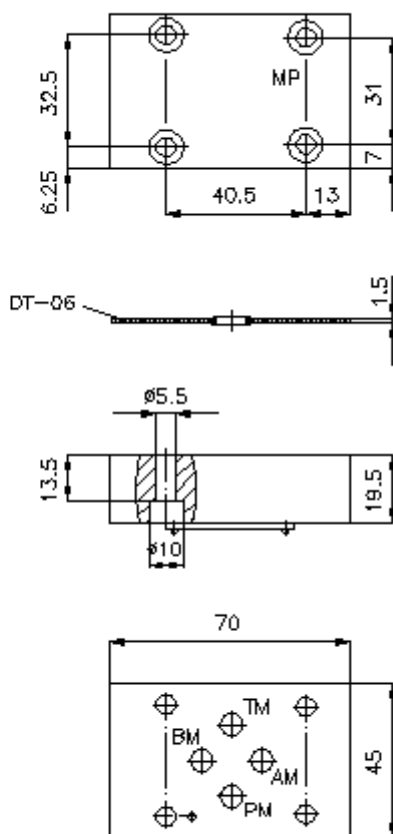
**Nom. pressure:**  
350 bar



IMAV-Hydraulik GmbH  
Breite Strasse 10  
D-40670 Meerbusch (Osterath)  
Phone +49 (0)2159 - 9188.0  
Fax +49 (0)2159 - 4242  
E-mail: [info@imav.com](mailto:info@imav.com)  
Internet: <http://www.imav.com>

**IZ-850-202-00**

(Subject to change!)



**linking/crossover plate CETOP 3  
P with T connected, A and B closed  
UP-06.-PT**



IMAV-Hydraulik GmbH  
Breite Strasse 10  
D-40670 Meerbusch (Osterath)  
Phone +49 (0)2159 - 9188.0  
Fax +49 (0)2159 - 4242  
E-mail: [info@imav.com](mailto:info@imav.com)  
Internet: <http://www.imav.com>

**IZ-850-202-00**

(Subject to change!)

**Ordering example:**

UP    - 06A - PT  
|        |        |  
**A**    **B**    **C**

**Model code:**

- A design**  
turn round plate  
with mounting interface DIN 24340 form A
- B size and material**  
06A = aluminum (F37)  
06S = steel (9SMnPb28K resp. GGG-40)

- C function mode**  
PT = P with T connected

**Technical Data:**

- note:** required mounting screws:  
4 pcs. M5 x 25 DIN 912
- nominal pressure:** 250 bar (A)  
350 bar (S)
- weight:** 0.2 / 0.5 kg (A/S)
- included:** DT-06 = sealing plate with vulcanized O-ring (Viton FPM)