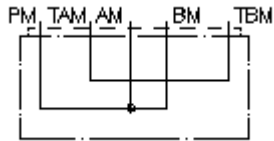


linking/crossover plate CETOP 5
P,A and B connected, T closed
UP-10.-PAB+TT



Symbol:

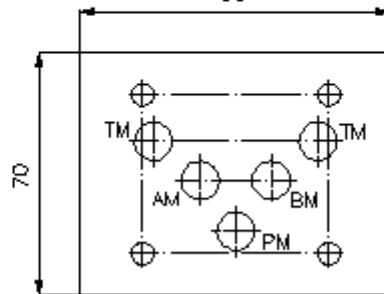
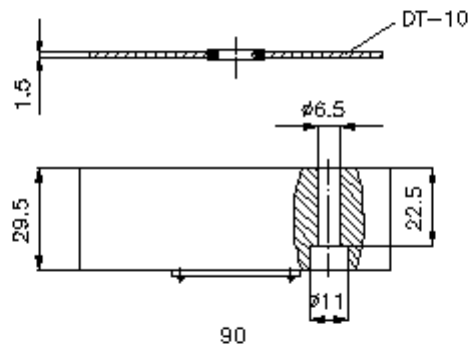
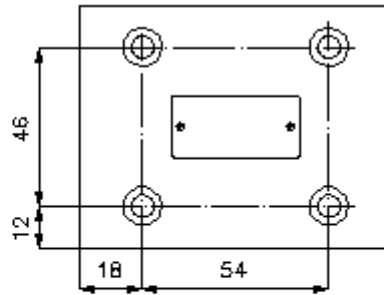
Nom. pressure:
 350 bar



IMAV-Hydraulik GmbH
 Breite Strasse 10
 D-40670 Meerbusch (Osterath)
 Phone +49 (0)2159 - 9188.0
 Fax +49 (0)2159 - 4242
 E-mail: info@imav.com
 Internet: <http://www.imav.com>

IZ-850-406-00

(Subject to change!)



**linking/crossover plate CETOP 5
P,A and B connected, T closed
UP-10.-PAB+TT**



IMAV-Hydraulik GmbH
Breite Strasse 10
D-40670 Meerbusch (Osterath)
Phone +49 (0)2159 - 9188.0
Fax +49 (0)2159 - 4242
E-mail: info@imav.com
Internet: <http://www.imav.com>

IZ-850-406-00

(Subject to change!)

Ordering example:

UP - 10A - PAB+TT
| | |
A **B** **C**

Model code:

A design
turn round plate
with mounting interface DIN 24340 form A

B size and material
10A = aluminum (F37)
10S = steel (9SMnPb28K resp. GGG-40)

C function mode
PAB = P with A and B and T with T
connected

Technical Data:

note: required mounting screws:
4 pcs. M6 x 30 DIN 912

nominal pressure: 250 bar (A)
350 bar (S)

weight: 0.5 / 1.5 kg (A/S)

included: DT-10 = sealing plate with vulcanized O-ring (Viton FPM)