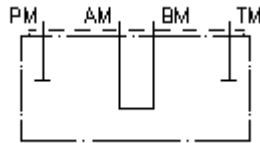


**linking/crossover plate CETOP 5  
A with B connected, P and T closed  
UP-10.-AB**



**Symbol:**

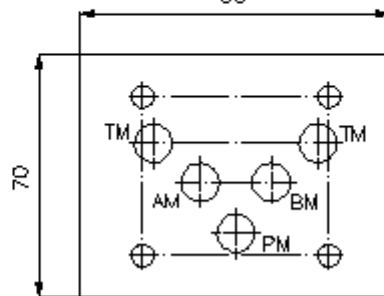
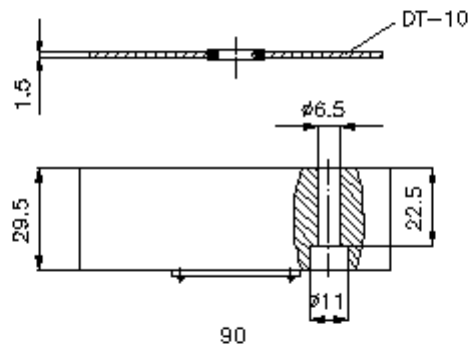
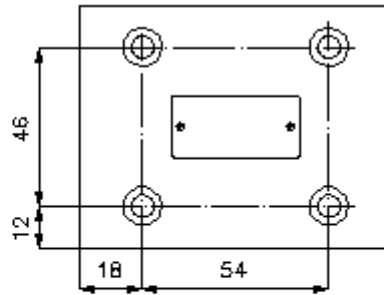
**Nom. pressure:**  
350 bar



IMAV-Hydraulik GmbH  
Breite Strasse 10  
D-40670 Meerbusch (Osterath)  
Phone +49 (0)2159 - 9188.0  
Fax +49 (0)2159 - 4242  
E-mail: [info@imav.com](mailto:info@imav.com)  
Internet: <http://www.imav.com>

**IZ-850-408-00**

(Subject to change!)



**linking/crossover plate CETOP 5  
A with B connected, P and T closed  
UP-10.-AB**



IMAV-Hydraulik GmbH  
Breite Strasse 10  
D-40670 Meerbusch (Osterath)  
Phone +49 (0)2159 - 9188.0  
Fax +49 (0)2159 - 4242  
E-mail: [info@imav.com](mailto:info@imav.com)  
Internet: <http://www.imav.com>

**IZ-850-408-00**

(Subject to change!)

**Ordering example:**

UP    - 10A - AB  
|        |        |  
**A**      **B**      **C**

**Model code:**

**A** **design**  
turn round plate  
with mounting interface DIN 24340 form A

**B** **size and material**  
10A = aluminum (F37)  
10S = steel (9SMnPb28K resp. GGG-40)

**C** **function mode**  
AB = A with B connected

**Technical Data:**

**note:** required mounting screws:  
4 pcs. M6 x 30 DIN 912

**nominal pressure:** 250 bar (A)  
350 bar (S)

**weight:** 0.5 / 1.5 kg (A/S)

**included:** DT-10 = sealing plate with vulcanized O-ring (Viton FPM)